

**Colour. Interaction. Play.**

The VERPAN Collection

**VER**

**PAN**

**Colour. Interaction. Play.**

**VERPAN**

Møntergade 19,  
1116 Copenhagen

@verpancom #verpan  
@vernerpantonofficial #vernerpanton

verpan.com

© Verpan 2024

CREATIVE DIRECTION & ART DIRECTION  
All the Way to Paris

CONTRIBUTORS  
Mathias Remmele  
Alisa Larsen

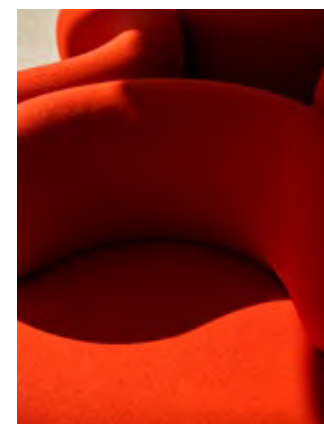
PHOTOGRAPHY  
Elizabeth Heltoft  
Casper Sejersen: p. 9, 38, 69-81  
© Verner Panton Design AG: p. 4, 7, 8

PAPER  
Grenita 250g  
UPM Sol Matt 90g

PRINTED AT  
Narayana Press

Design by Verner Panton  
© Verner Panton Design AG  
Produced under license by Verpan A/S

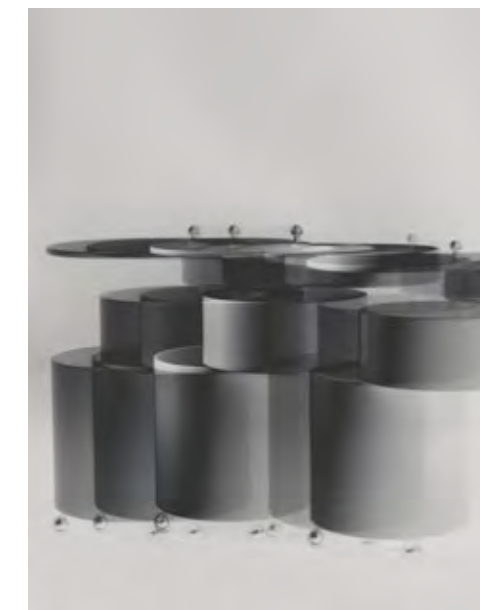
Introduction  
p. 5



Form Follows Fun  
Manifesto by Mathias Remmele  
p. 10



An Homage to the Sixties  
p. 40

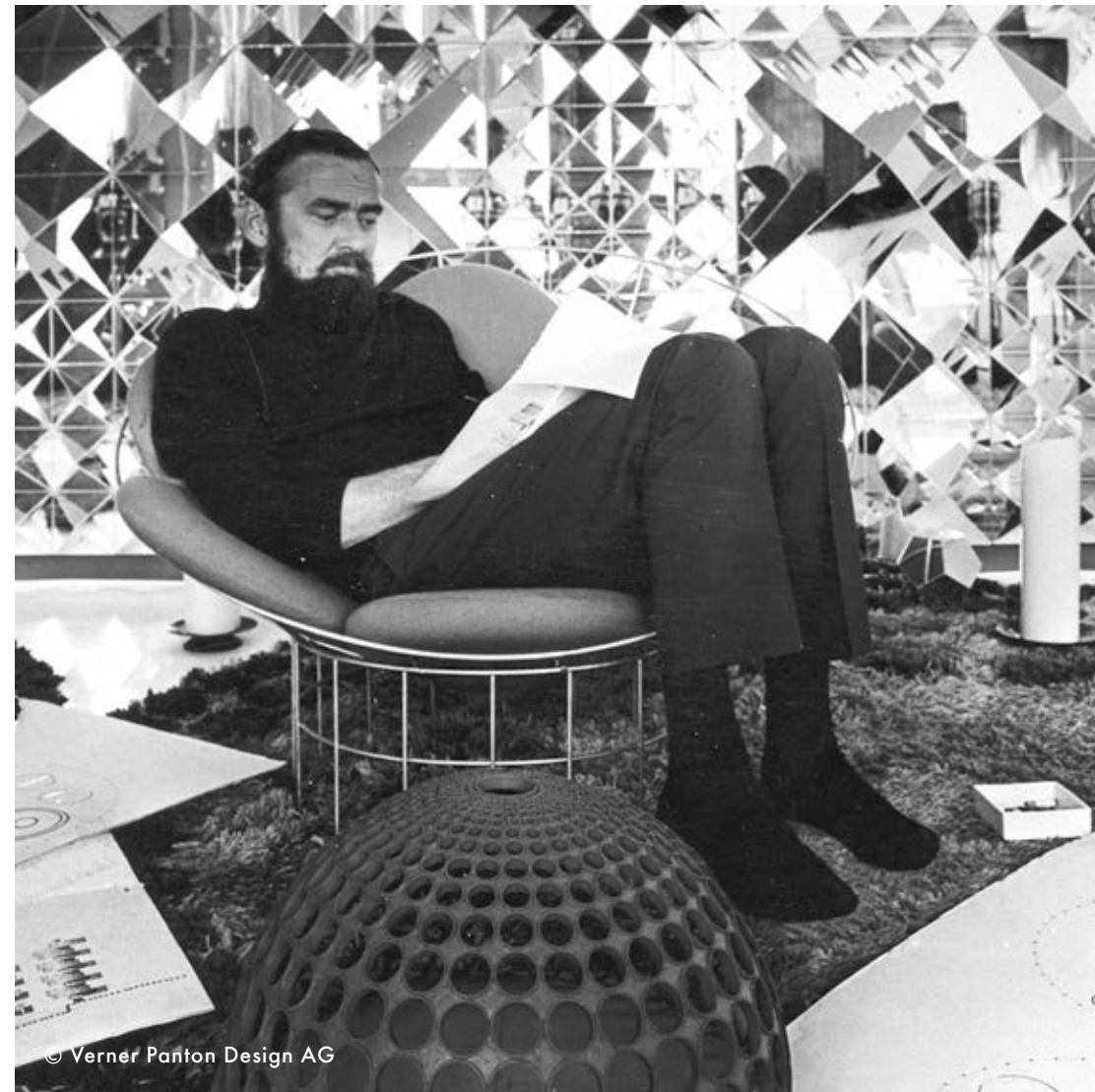


The Future is in the Archives  
p. 67



Cases  
p. 82

The Collection  
p. 98



Verner Panton lounging  
surrounded by *Mirror sculptures*.

VERPAN – *for Verner Panton* – is a design company working closely with Verner Panton Design AG to preserve, reissue and recontextualise the Danish architect and designer’s radiant body of work – from minute objects to immersive environments. Verner Panton’s lighting and furniture is a testament to a playful and unconventional spirit. VERPAN’s collection includes some of his most celebrated designs and recently rediscovered pieces.

### *Verner Panton*

Born in 1926, Verner Panton came to represent a new direction and energy in Danish design history – deeply original, daringly experimental – for close to five decades. Creating visually

distinct furniture, lighting and objects as well as immersive interiors, his spirit and work remains radically ahead of the curve. Concerned with the future and our capacity to imagine it, his vast output is full of vibrant and playful pieces with a social character, made to be enjoyed, for pleasure.

Breaking with the mainstream by pushing the boundaries of colour, form and materials, he created extraordinary atmospheres and objects that continue to offer groundbreaking perspectives on life, work and interaction. Panton's iconic designs are immediate, even intuitive. They are bold, colourful and sculptural – a splendid combination of craftsmanship and imagination.



© Verner Panton Design AG

Spiegel Publishing House, Hamburg, 1969.



Verner Panton in his *Flying chair*.  
Press photograph for the Cologne Furniture Fair, 1964.



## Form Follows Fun Manifesto *by* Mathias Remmele

When Verner Panton started his career in the 1950s, Functionalism, a movement that had started out as avant-garde in the first decades of the 20th century, had become mainstream. Dogmatic, rather harsh rules became synonymous with Functionalism in design and architecture. The most powerful one – "form follows function" – goes back to Louis Sullivan. Ludwig Mies van der Rohe later added his influential "less is more," and Adolf Loos even equated the use of ornament with crime. So, was there any space for fun in Functionalism? Perhaps not, many certainly denied it. Nonetheless, a small number of mid-century designers started to test the Functionalist rules and formal limitations by giving their creations a clear playful and humorous twist.

Young Verner Panton was one of those. By the end of the 1950s, he presented his famous Plus-linje collection, with the Cone and Heart Cone Chair as its centrepieces. He surprised the design world with unusual shapes and new materials. He impressed with his fresh, playful, and witty approach. He proved that fun and function do not exclude one another, and he promoted the idea that fun should be understood as part of function.

A couple of years later, an unusual commission gave him the opportunity to take the next step. The German furniture brand Kill, little known but very ambitious,

approached Panton and asked if he would be willing to create their exhibition for the Cologne Furniture Fair, an influential event in the industry.

The briefing was as short as it was challenging: "Make us famous!" And Panton delivered. He created – totally unconventional at that time – chairs and seating without legs, today known as the Easy Chair, Easy Sofa, and Easy Pouf, and he invented the iconic Flying Chairs. Kill's stand was the sensation of the fair in 1964. In Germany alone, more than 300 newspapers reported about the radical concept of the Flying Chairs. Many people thought that the designs were over the top, too crazy. But they liked to look at them, and furthermore, they liked to sit in them. Sitting, lying, or lounging on a Flying Chair, gave a new perspective on a space because it was fun – simply and undeniably.

60 years after they first were presented, the Flying Chairs and the Easy Series do not necessarily feel sensational. Yet, these pieces still stand out. And most importantly, the fun that comes with them is as fresh and strong as ever.

Mathias Remmele is a journalist, writer and curator specializing in design and architecture.

Easy series, Moon Opal pendant







Easy sofa

Fun table lamp 2TM





Fun XL pendant 4DM, 430 chair



System 1-2-3 lounge chair deluxe



Cloverleaf sofa



Moon pendant, System 1-2-3 dining chair standard

420 chair



Spiral XL pendant SP2





Wire floor lamp



System 1-2-3 dining chair standard



Hive pendant



Barboy



System 1-2-3 mirror



Spiegel wall lamp



Fun floor lamp 1STM



Cloverleaf sofa







VP Globe pendant, Welle 2 lounge & Welle 4 lounge



Reflect table lamp



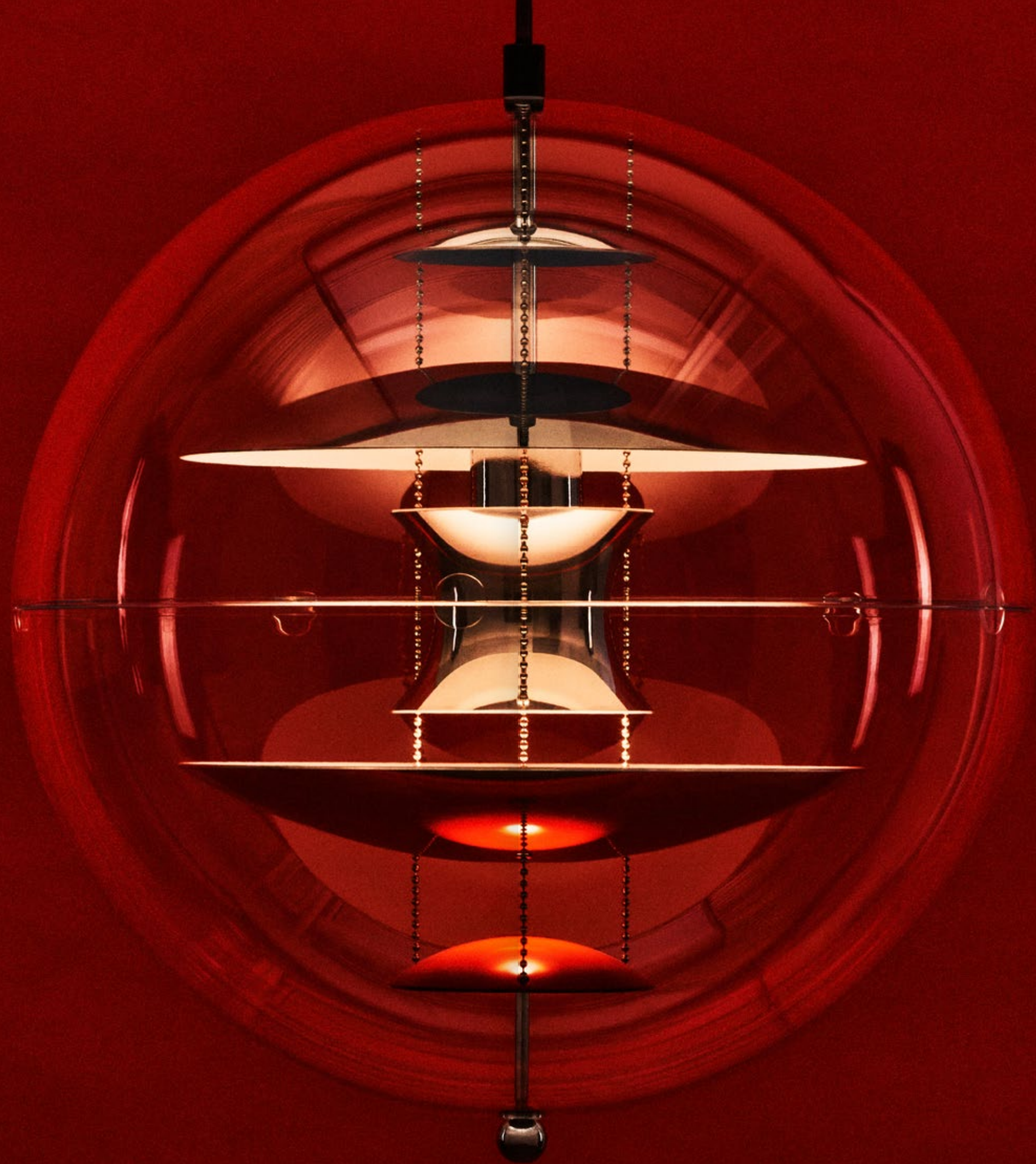
Wire table lamp



Fun floor lamp 1STM, Welle 3 lounge



Barboy



VP Globe pendant

**AN HOMAGE TO THE SIXTIES** Built in the early sixties, Villa Galaxie stands as a pioneering architectural marvel – the sleek contours of California modernism serving as the perfect backdrop to the VERPAN collection. The house is anchored on the rocks of the Esterel Massif, with the big blue and the bay of Cannes on the horizon, showcasing some of Verner Panton's most emblematic creations, from the tactile beauty of the Fun Series and the curves of the Cloverleaf to the futuristic shapes of the Wire lamps and the ingenious form of System 1-2-3. This year, VERPAN relaunches the Easy Series, a sofa, pouf, and chair originally created in 1964. With a playful design and an unmistakable round form, the dimensions have been adjusted for optimal comfort, making it just as enjoyable today. Another update comes in the form of the Moon pendant, designed in 1960, now available as Moon Opal pendant, a transparent material that enhances the design's fascinating expression of light.





Cloverleaf sofa, Barboy, System 1-2-3 lounge chair deluxe,  
Fun floor lamp 1STM, Fun XL pendant 4DM



Moon pendant, System 1-2-3 dining chair standard,  
Fun floor lamp 1STM



Moon Opal pendant



Cloverleaf outdoor sofa



System 1-2-3 dining chair standard



Moon Opal pendant, System 1-2-3 lounge chair deluxe,  
Cloverleaf sofa



Fun table lamp 2TM



Pantó Pop chair



Cloverleaf outdoor sofa

Cloverleaf outdoor sofa



Pantop portable lamp



System 1-2-3 dining chair standard, Wire floor lamp



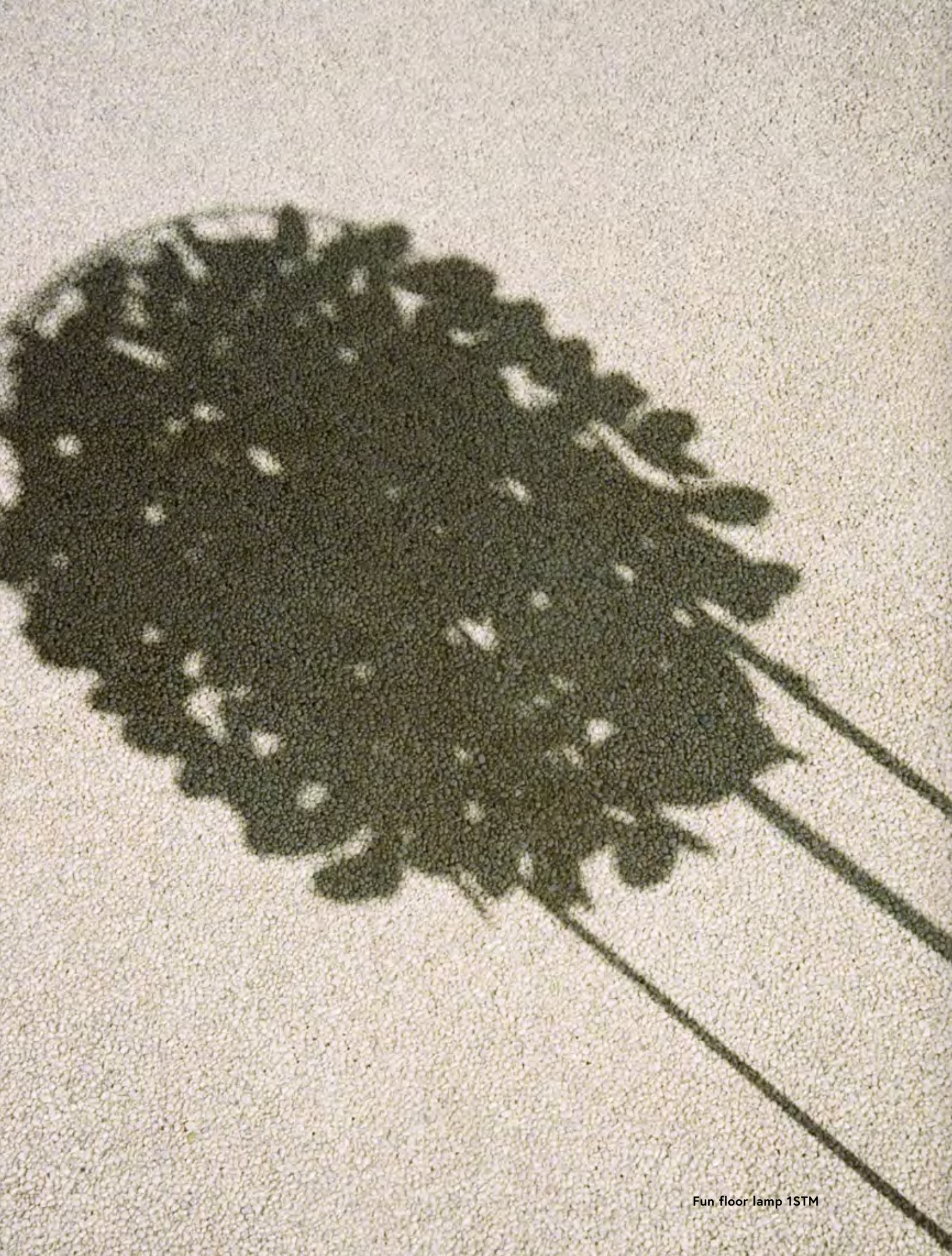
Cloverleaf sofa



System 1-2-3 lounge chair standard



Wire table lamp



Fun floor lamp 1STM



System 1-2-3 lounge chair standard



Mirror Sculpture 1, Mirror Sculpture 4, Mirror Sculpture 9,  
Wire table lamp



Wire floor lamp





Cloverleaf outdoor sofa



Cloverleaf sofa, Wire floor lamp, Wire table lamp,  
System 1-2-3 lounge chair deluxe



Pantop pendant

**THE FUTURE IS IN THE ARCHIVES** Our collection is based on the work Verner Panton produced throughout his lifetime and the extensive archives he left behind, including sketches, models, prototypes and other materials related to his vast and visionary output. These offer an invaluable perspective on Panton's creative mind and process. A close collaboration with Verner Panton's widow, Marianne, and daughter Carin, Verner Panton Design AG, and an extensive network of collectors and curators enables us to reintroduce designs that deserve to be experienced again. We believe that the future is in the archives.



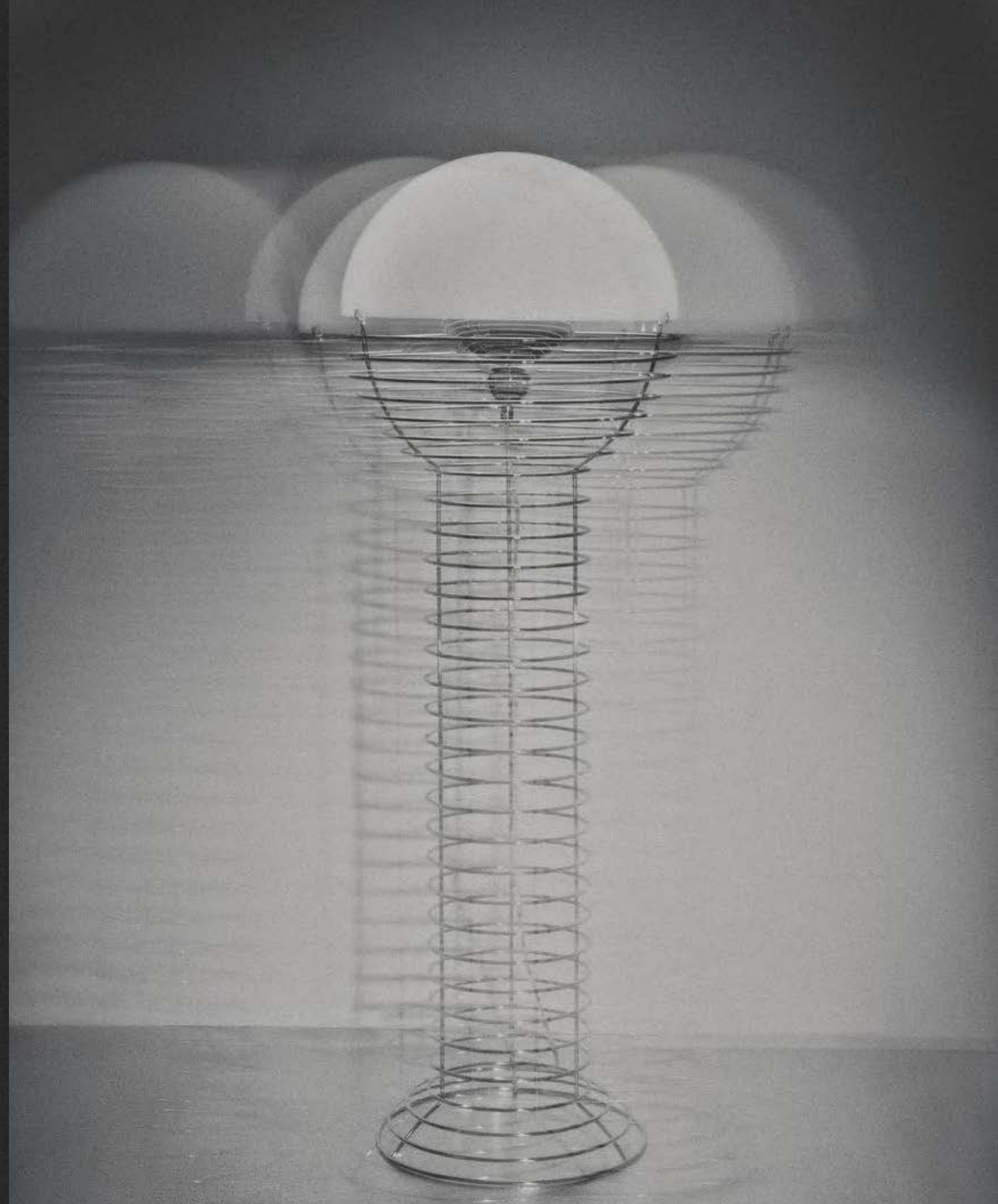
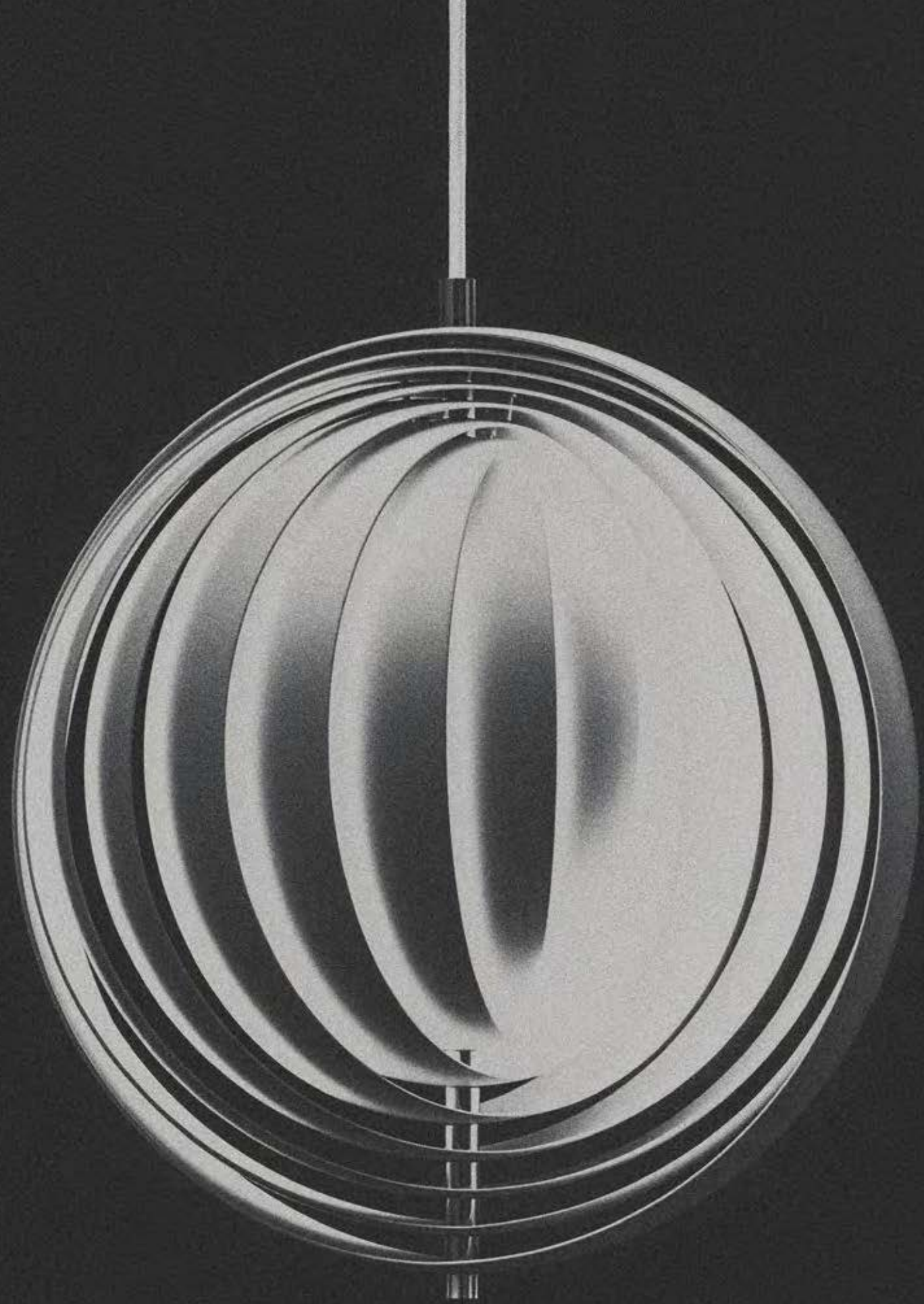












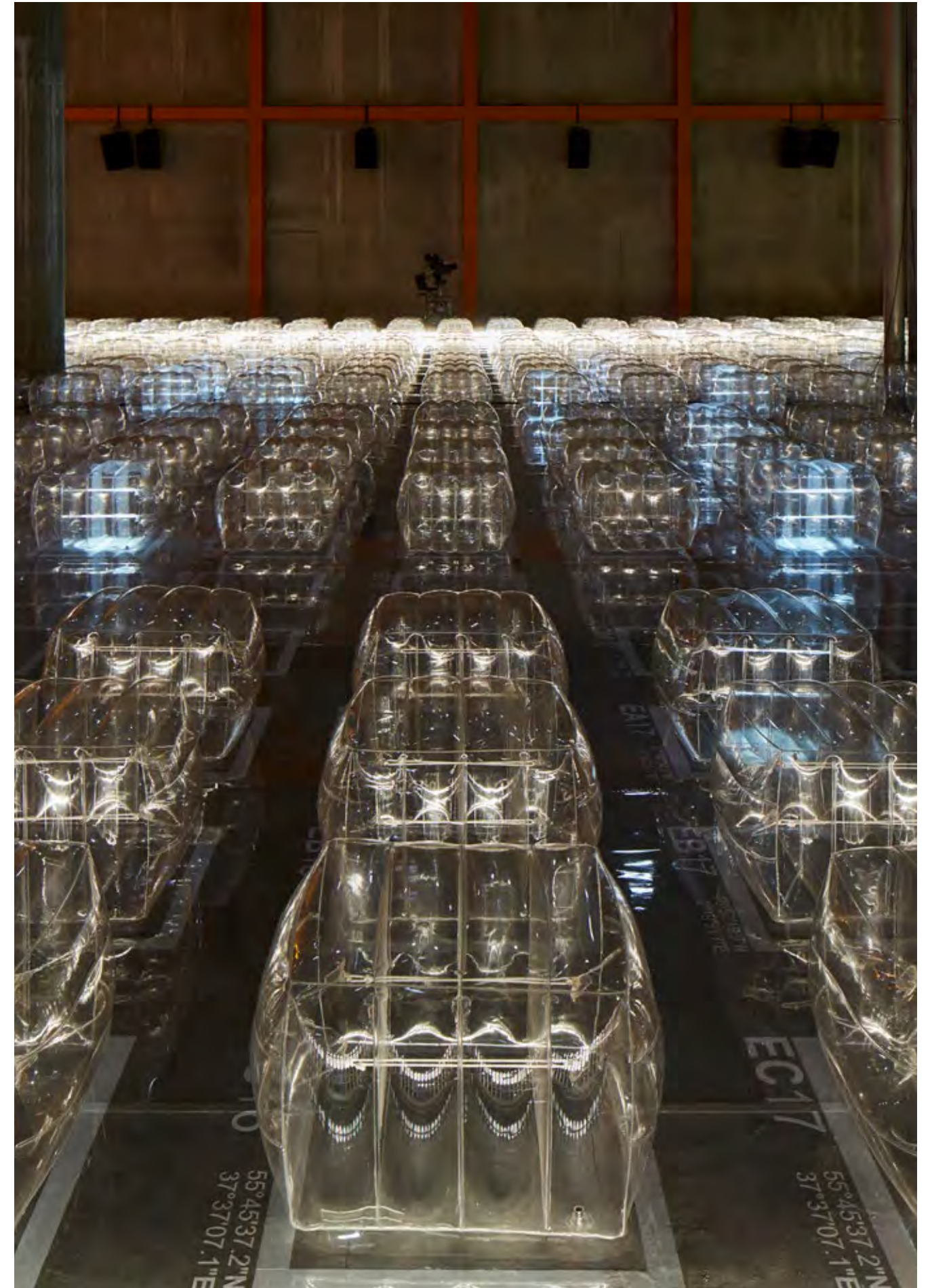


## Cases

VERPAN's collection of furniture, lighting and objects offers a myriad of highquality possibilities for expressive and refined interiors, from dining and leisure to retail and public spaces.











Le Garibaldi  
Paris, France  
Image rights: Le Garibaldi



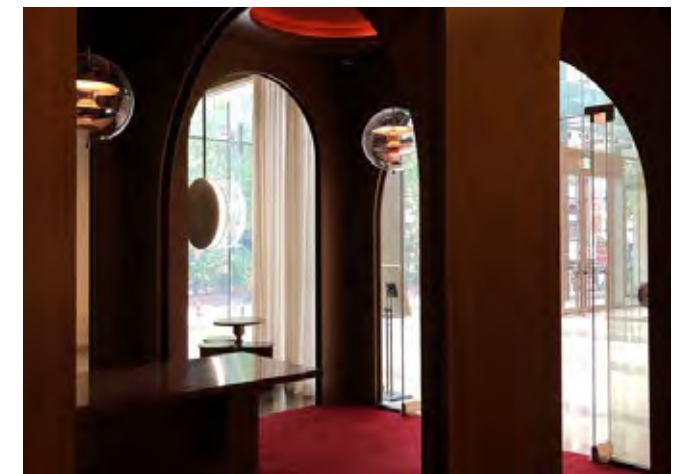
Miu Miu retail concept stores  
Worldwide  
Image rights: Miu Miu



Scandic Europa  
Gothenburg, Sweden  
Image rights: Scandic Europa



Bank for International Settlements  
Basel, Switzerland  
Image rights: Herzog & de Meuron



Jeokdang Café  
Seoul, South Korea  
Image rights: Jeokdang Café



Stiften  
Aarhus, Denmark  
Image rights: Stiften



Mikano Restaurant  
Auckland, New Zealand  
Image rights: Mikano Restaurant

Kagami Restaurant  
Malmö, Sweden  
Image rights: Kagami Restaurant



IMPERIAL HOTEL Restaurant  
Copenhagen, Denmark  
Image rights: IMPERIAL HOTEL



Danish Architecture Centre  
Copenhagen, Denmark  
Image rights: Danish Architecture Centre



Royal Opera House Restaurant  
London, United Kingdom  
Image rights: James Newton



Puro Cinema  
Lodz, Poland  
Photographer & Copyrights: Anna Stathaki





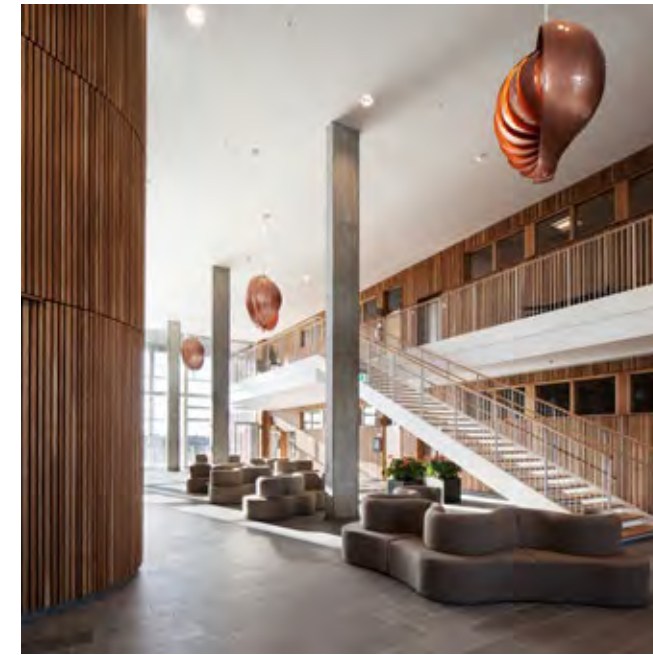
Beef Bar  
Monte Carlo, Monaco  
Image rights: Beef Bar



Egaa Gymnasium  
Aarhus, Denmark  
Image rights: Egaa Gymnasium



Davines village  
Parma, Italy  
Image rights: Davines village



High Court of Western Denmark  
Viborg, Denmark  
Image rights: High Court of Western Denmark



Skanderborg Kommune  
Skanderborg, Denmark  
Image rights: Skanderborg Kommune



Crematorium Siesegem  
Aalst, Belgium  
Image rights: Crematorium Siesegem



National Museum of Denmark  
Copenhagen, Denmark  
Image rights: National Museum of Denmark



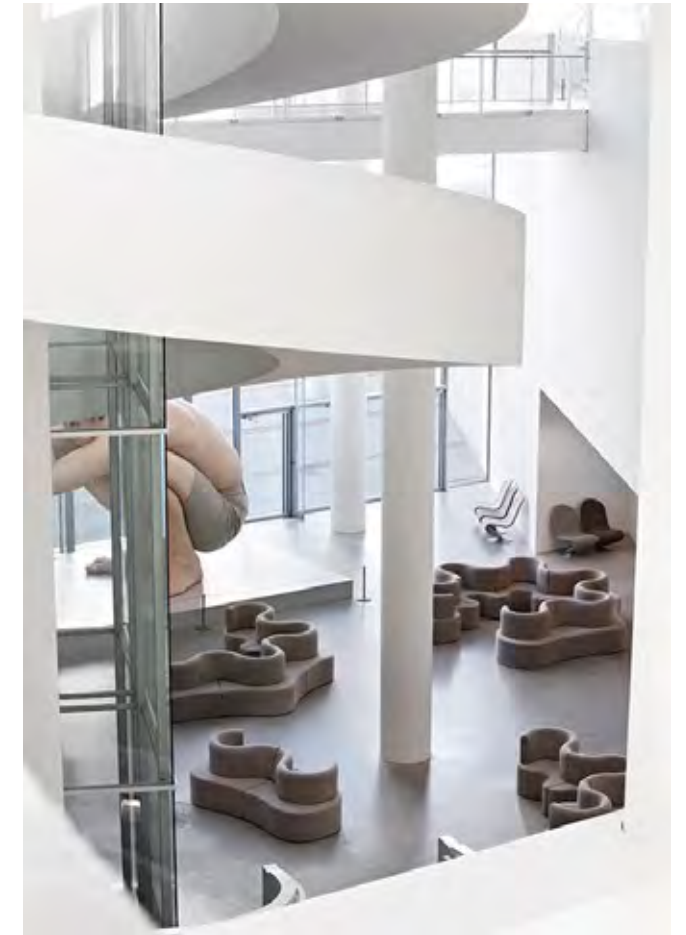
Bestseller offices  
Aarhus Denmark  
Image rights: Bestseller



Oxymoron  
Berlin, Germany  
Image rights: Oxymoron



Deloitte offices  
Aarhus, Denmark  
Image rights: Deloitte



ARoS Museum  
Aarhus, Denmark  
Image rights: ARoS Museum

# SERIES 430 CHAIR 1967

FURNITURE

## Description

Fully upholstered multi-purpose stacking chair with metal frame. Stackable 3-4 on floor, 8 on trolley.

## Material

FSC certified plywood. Elastic band webbing in the seat. HR foam (Cal 117) as standard. CMHR Foam (CRIB 5) upon request. Painted metal/ brushed stainless steel/ plated brass frame. With felt gliders. Plastic gliders available upon request.

## Product dimensions

H: 82 cm (32.3")  
W: 54 cm (21.3")  
D: 51,5 cm (20.3")  
Seat height: 47 cm (18.1")  
Seat: Ø46 cm (17.7")

## Certifications

Contract standard

## Box dimensions

57 × 57 × 86 cm (22.4 × 22.4 × 33.9")

## Weight

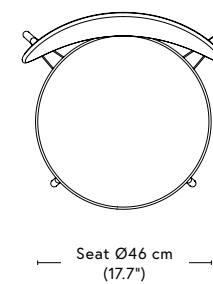
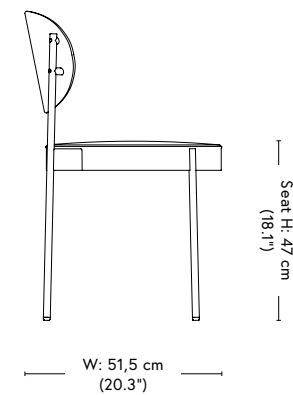
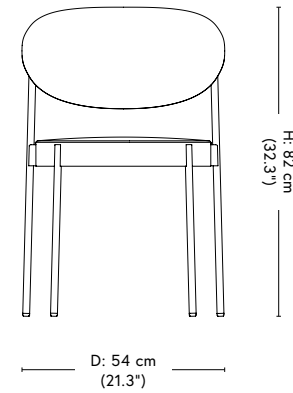
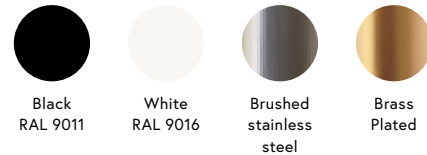
6,5 kg / 8,6 kg incl. packaging

## Upholstery

For details regarding available fabric or leather options, please refer to our Upholstery Programme.

## Frame Colour

Black, White, Brushed stainless steel, Brass plated



# SERIES 430 STOOL 1967

FURNITURE

## Description

Fully upholstered multi-purpose stackable stool with metal frame.

## Material

FSC certified plywood. Elastic band webbing in the seat. HR foam (Cal 117) as standard. CMHR Foam (CRIB 5) upon request. Painted metal/ brushed stainless steel/ plated brass frame. With felt gliders. Plastic gliders available upon request.

## Product dimensions

H: / Seat height: 47 cm (18.1")  
Seat: Ø46 cm (17.7")

## Certifications

Contract standard

## Box dimensions

57 × 56 × 53 cm (22.4 × 22 × 20.8")

## Weight

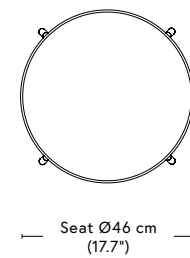
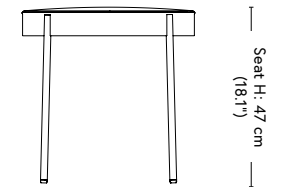
4,5 kg / 6,1 kg incl. packaging

## Upholstery

For details regarding available fabric or leather options, please refer to our Upholstery Programme.

## Frame Colour

Black, White, Brushed stainless steel, Brass plated



# SERIES 430 BAR STOOL 65 1967

FURNITURE

## Description

Fully upholstered multi-purpose bar stool.

## Material

FSC certified plywood. Elastic band webbing in the seat.  
HR foam (Cal 117) as standard. CMHR Foam (CRIB 5) upon request. Painted metal/plated brass frame. With felt gliders. Plastic gliders available upon request.

## Product dimensions

H: 100 cm (39.4")  
W: 54 cm (21.3")  
D: 51,5 cm (20.3")  
Seat height: 65 cm (25.6")  
Seat: Ø46 cm (17.7")

## Certifications

Contract standard

## Box dimensions

55 × 118 × 57 cm (22 × 46 × 23")

## Weight

9 kg / 11,51 kg incl. packaging

## Upholstery

For details regarding available fabric or leather options, please refer to our Upholstery Programme.

## Frame Colour

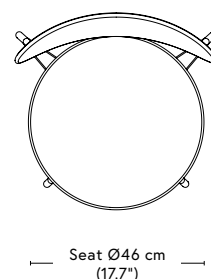
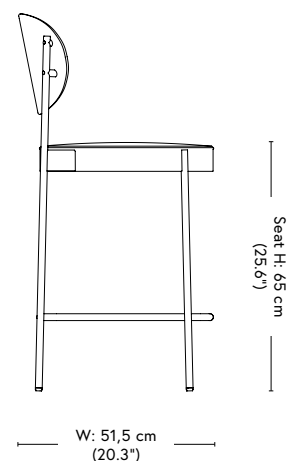
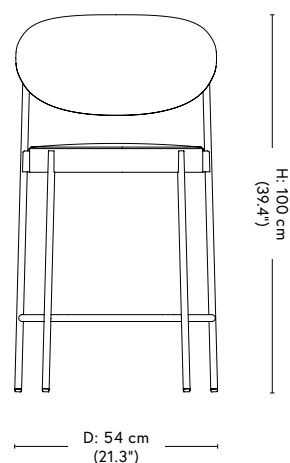
Black, Brass plated



Black  
RAL 9011



Brass  
Plated



# SERIES 430 BAR STOOL 75 1967

FURNITURE

## Description

Fully upholstered multi-purpose bar stool.

## Material

FSC certified plywood. Elastic band webbing in the seat.  
HR foam (Cal 117) as standard. CMHR Foam (CRIB 5) upon request. Painted metal/plated brass frame. With felt gliders. Plastic gliders available upon request.

## Product dimensions

H: 110 cm (43.3")  
W: 54 cm (21.3")  
D: 51,5 cm (20.3")  
Seat height: 75 cm (29.5")  
Seat: Ø46 cm (17.7")

## Certifications

Contract standard

## Box dimensions

55 × 118 × 57 cm (22 × 46 × 23")

## Weight

10 kg / 12,51 kg incl. packaging

## Upholstery

For details regarding available fabric or leather options, please refer to our Upholstery Programme.

## Frame Colour

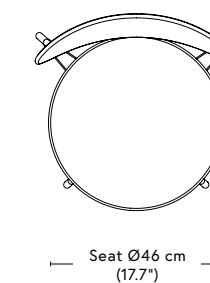
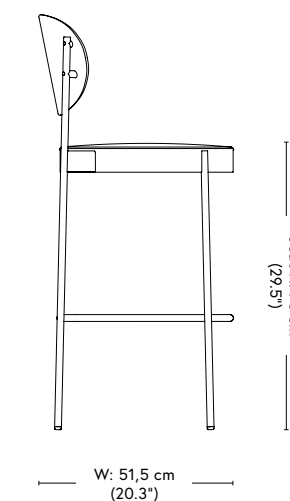
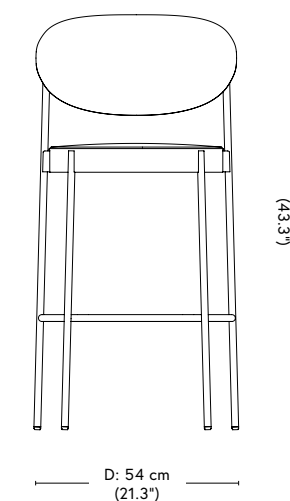
Black, Brass plated



Black  
RAL 9011



Brass  
Plated



# SYSTEM 1-2-3 DINING CHAIR STANDARD 1973

FURNITURE

## Description

S-shaped upholstered swivel dining chair. Available with chrome butterfly base or brushed aluminum round base.

## Material

Steel frame. HR foam (Cal 117) as standard CMHR Foam (CRIB 5) upon request. Chrome plated butterfly base/ Brushed aluminum round base.

## Product dimensions

H: 86 cm (33.8")  
D: 60 cm (23.6")  
Seat width: 50 cm (19.6")  
Seat depth: 36 cm (14.1")  
Seat height front: 47 cm (18.5")  
Seat height back: 44 cm (17.3")

## Certifications

Contract standard

## Box dimensions

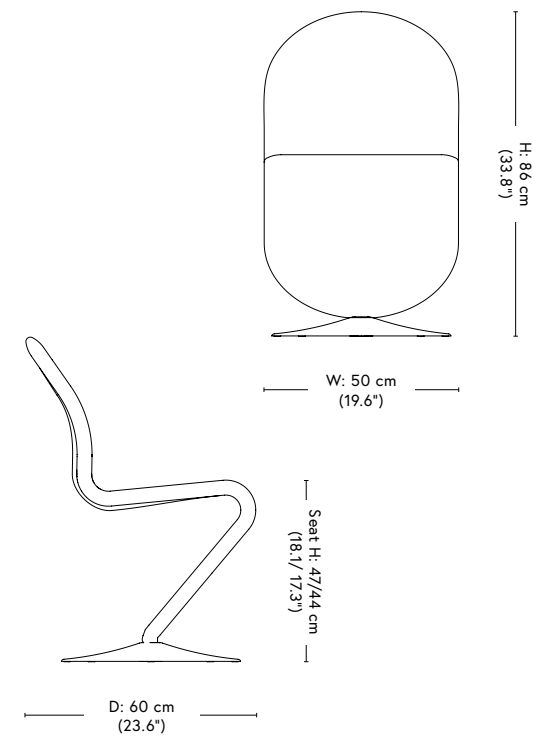
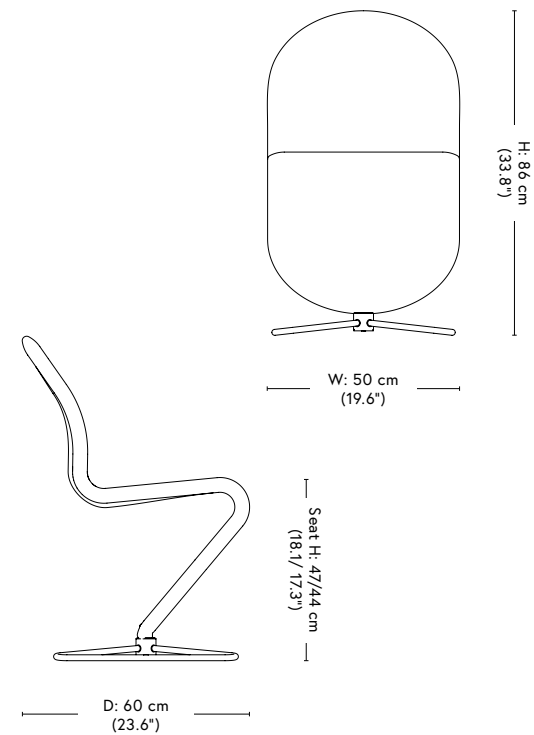
67 × 57 × 93 cm (26.3 × 22.4 × 36.6")

## Weight

13,5 kg / 16,23 kg incl. packaging

## Upholstery

For details regarding available fabric or leather options, please refer to our Upholstery Programme.



# SYSTEM 1-2-3 DINING CHAIR DELUXE 1973

FURNITURE

## Description

S-shaped upholstered swivel dining chair. Available with chrome butterfly base or brushed aluminum round base.

## Material

Steel frame. HR foam (Cal 117) as standard CMHR Foam (CRIB 5) upon request. Chrome plated butterfly base/ Brushed aluminum round base.

## Product dimensions

H: 86 cm (33.8")  
D: 60 cm (23.6")  
Seat width: 50 cm (19.6")  
Seat depth: 36 cm (14.1")  
Seat height front: 47 cm (18.5")  
Seat height back: 44 cm (17.3")

## Certifications

Contract standard

## Box dimensions

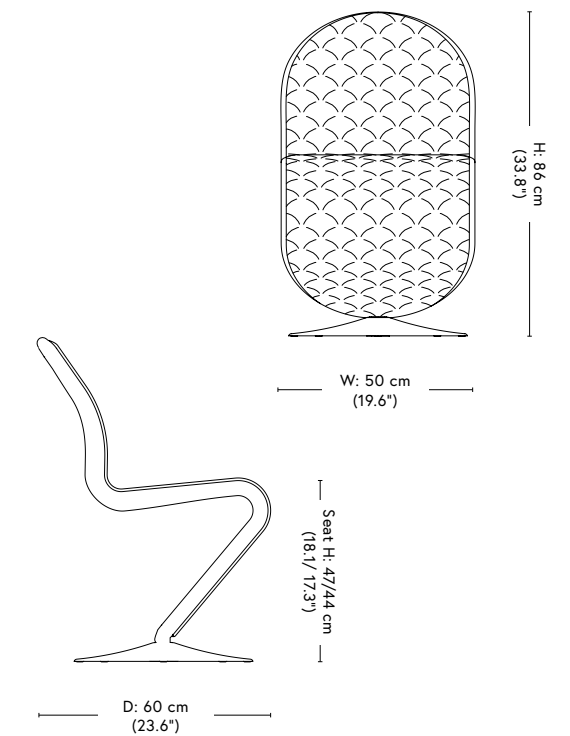
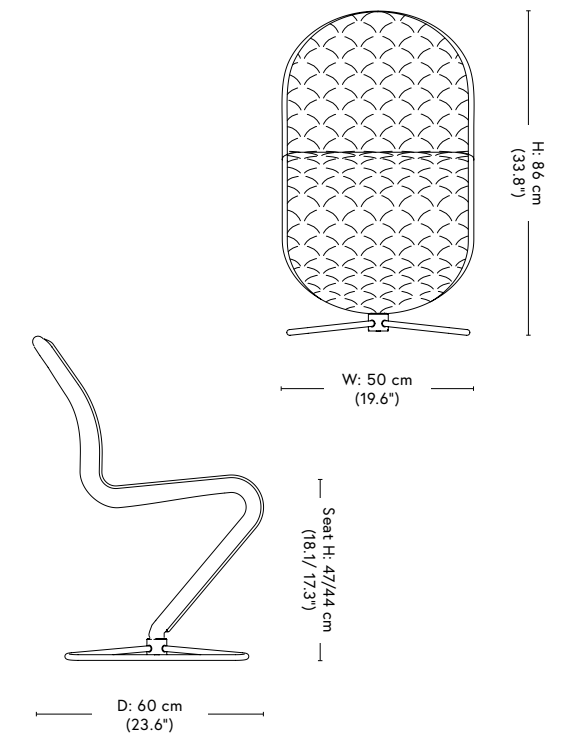
67 × 57 × 93 cm (26.3 × 22.4 × 36.6")

## Weight

13,5 kg / 16,23 kg incl. packaging

## Upholstery

For details regarding available fabric or leather options, please refer to our Upholstery Programme.



# SYSTEM 1-2-3 LOUNGE CHAIR STANDARD 1973

FURNITURE

## Description

S-shaped upholstered swivel lounge chair with brushed aluminum round base.

## Material

Steel frame. HR foam (Cal 117) as standard CMHR Foam (CRIB 5) upon request. Brushed aluminum base.

## Product dimensions

H: 89 cm (35")  
D: 82 cm (32.3")  
Seat width: 59 cm (13.3")  
Seat depth: 45 cm (17.7")  
Seat height front: 38 cm (14.9")  
Seat height back: 34 cm (13.4")

## Certifications

Contract standard

## Box dimensions

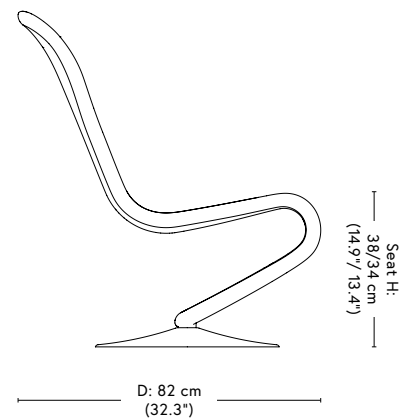
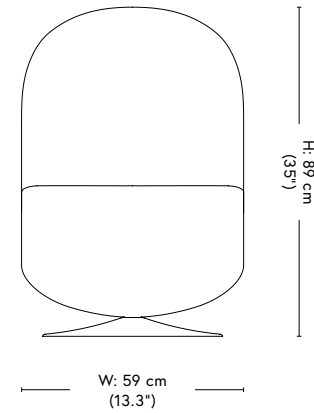
76 × 66 × 93 cm (29.9 × 25.9 × 36.6")

## Weight

16,5 kg / 19,66 kg incl. packaging

## Upholstery

For details regarding available fabric or leather options, please refer to our Upholstery Programme.



# SYSTEM 1-2-3 LOUNGE CHAIR DELUXE 1973

FURNITURE

## Description

S-shaped upholstered swivel lounge chair with brushed aluminum round base.

## Material

Steel frame. HR foam (Cal 117) as standard CMHR Foam (CRIB 5) upon request. Brushed aluminum base.

## Product dimensions

H: 89 cm (35")  
D: 82 cm (32.3")  
Seat width: 59 cm (13.3")  
Seat depth: 45 cm (17.7")  
Seat height front: 38 cm (14.9")  
Seat height back: 34 cm (13.4")

## Certifications

Contract standard

## Box dimensions

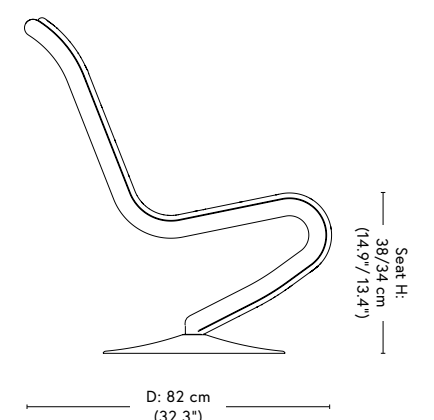
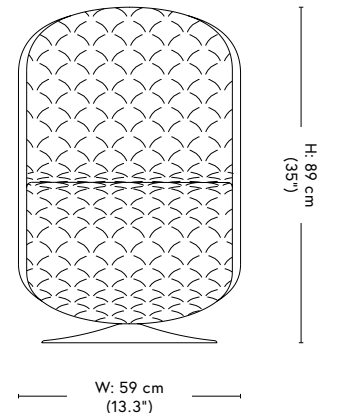
76 × 66 × 93 cm (29.9 × 25.9 × 36.6")

## Weight

16,5 kg / 19,66 kg incl. packaging

## Upholstery

For details regarding available fabric or leather options, please refer to our Upholstery Programme.



# CLOVERLEAF SOFA

## 1969

FURNITURE

### Description

Modular sofa system consisting of left, right, middle and extension unit.

### Material

TSCA wood. HR foam (Cal 117) as standard. CMHR Foam (CRIB 5) upon request. Metal interlockers. Adjustable nylon gliders.

### Upholstery

For details regarding available fabric options, please refer to our Upholstery Programme.

### Made-to-order Options

Plinth, 4 cm black painted wood.  
Power Pixel, integrated charging station incl. power outlet, USB- and data port.

### Product dimensions

H: 80 cm (31.5")  
Seat height: 40 cm (15.7")  
Left/Right unit: L: 114,5 cm (45.1") x W: 115,5 cm (45.5")  
Middle unit: L: 137 cm (54") x W: 142 cm (56")  
Extension unit: L: 130 cm (51.2") x W: 113 cm (44.5")

### Certifications

Contract standard

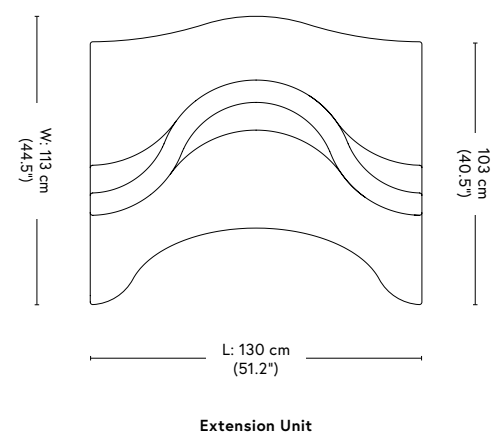
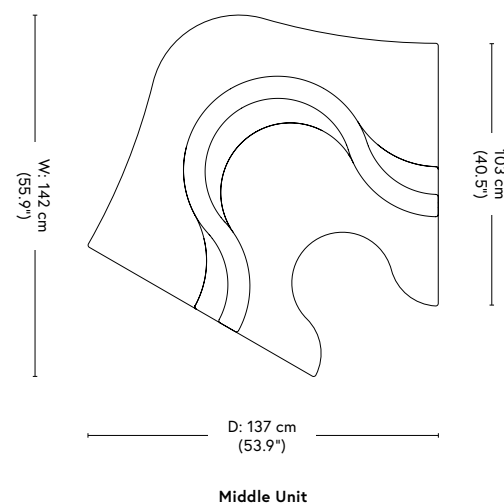
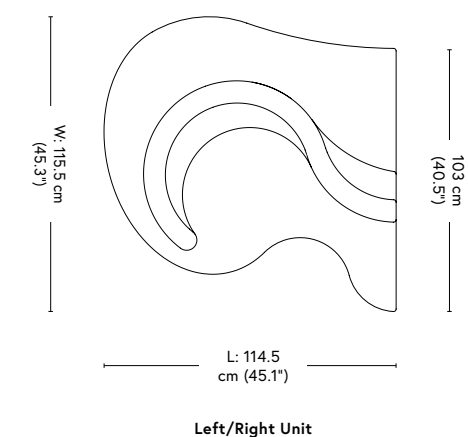
### Box dimensions

Left/Right unit: 124 x 124 x 100 cm (48.8 x 48.8 x 39.3")  
Middle unit: 149 x 152 x 100 cm (58.7 x 59.9 x 39.3")  
Extension unit: 149 x 152 x 100 cm (58.7 x 59.8 x 39.3")  
Stackable wooden crates.

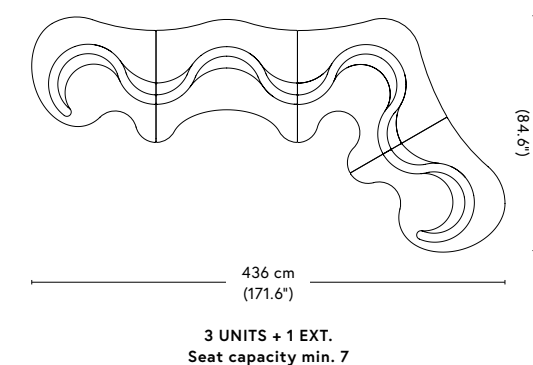
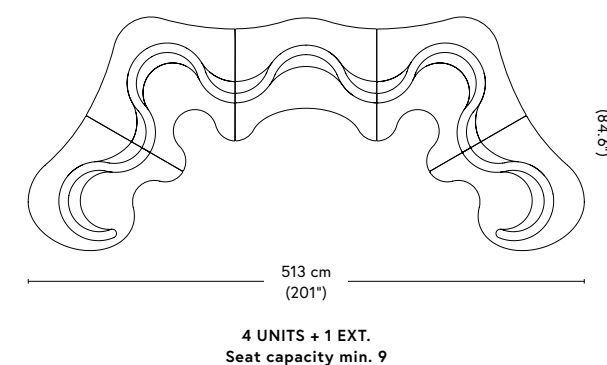
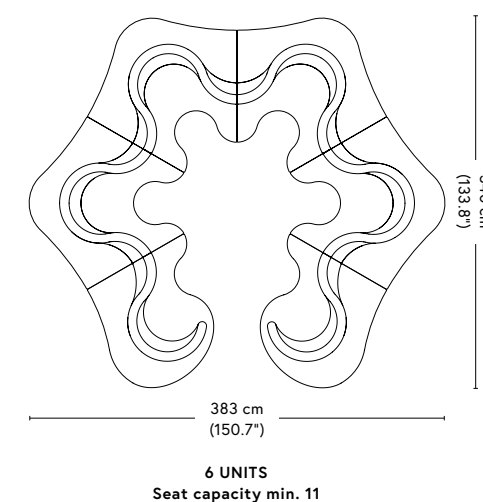
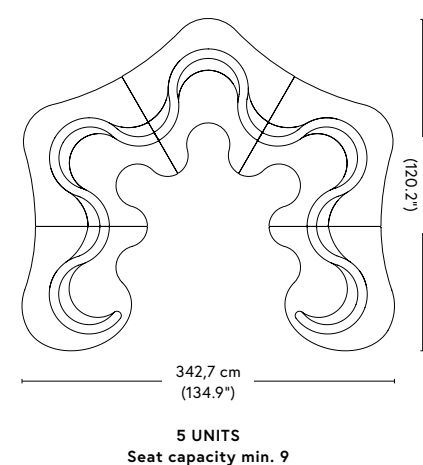
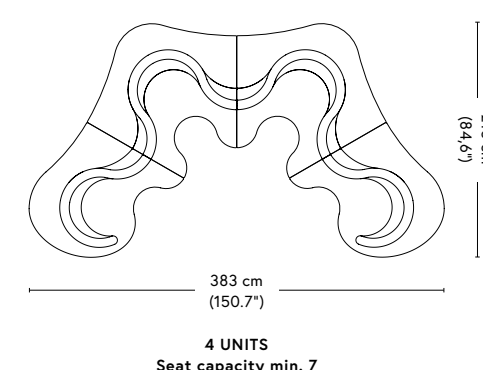
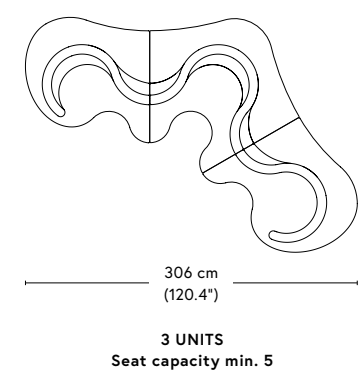
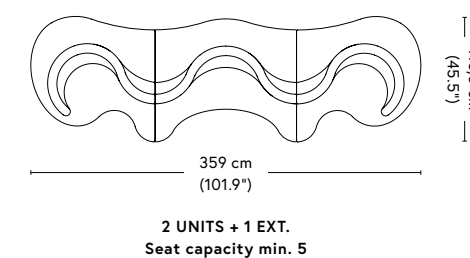
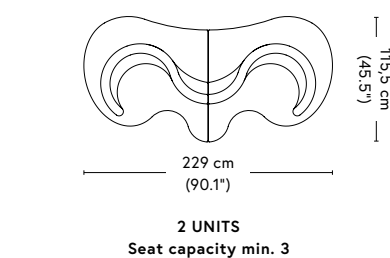
### Weight

Left/Right unit: 46,5 kg (113,5 kg)  
Middle unit: 57,5 kg (145,5 kg)  
Extension unit: 53,5 kg (141,5 kg)

*NB Dimensions must be read with a tolerance ±50 mm depending on variant (upholstery / PE), choice of fabric, unit compositions ect.*



FURNITURE



# CLOVERLEAF SOFA IN/OUTDOOR 1969/2016

FURNITURE

## Description

Modular sofa system consisting of left, right, middle and extension unit.

## Material

Rotational molded PE Polyethylen.

## Product dimensions

H: 80 cm (31.5")

Seat height: 40 cm (15.7")

Left/Right unit: L: 114,5 cm (45.1") x W: 115,5 cm (45.5")

Middle unit: L: 137 cm (54") x W: 142 cm (56")

Extension unit: L: 130 cm (51.2") x W: 113 cm (44.5")

## Certifications

Contract standard

## Box dimensions

Left/Right unit: 124 x 124 x 100 cm (48.8 x 48.8 x 39.3")

Middle unit: 149 x 152 x 100 cm (58.7 x 59.9 x 39.3")

Extension unit: 149 x 152 x 100 cm (58.7 x 59.8 x 39.3")

Stackable wooden crates.

## Weight

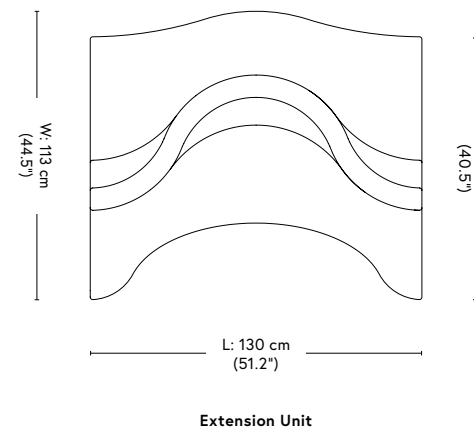
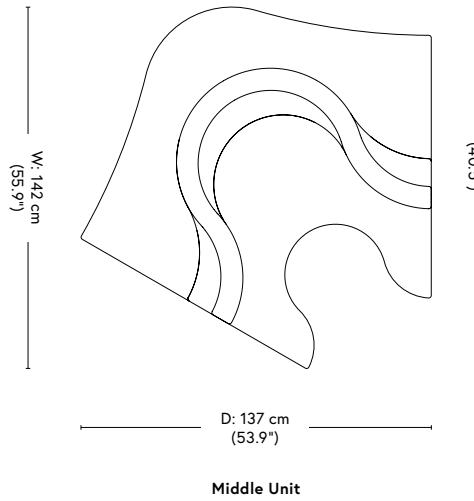
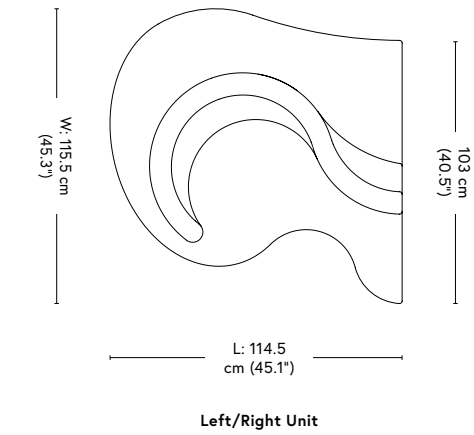
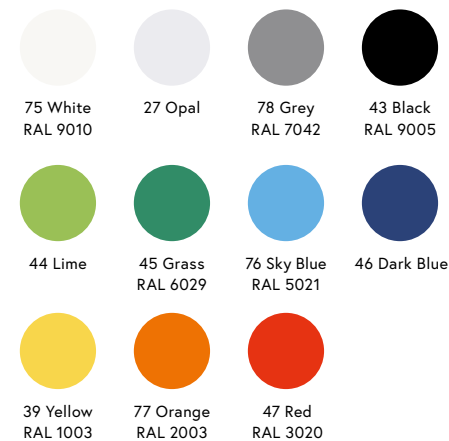
Left/Right unit: 40 kg (74 kg)

Middle unit: 51 kg (85 kg)

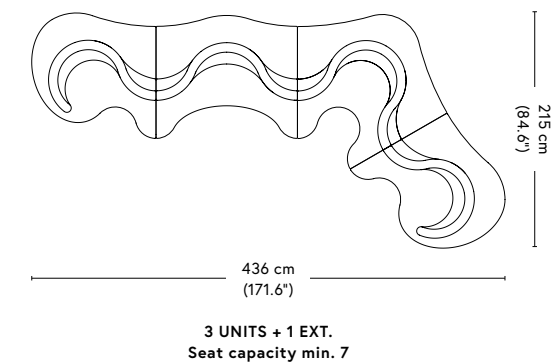
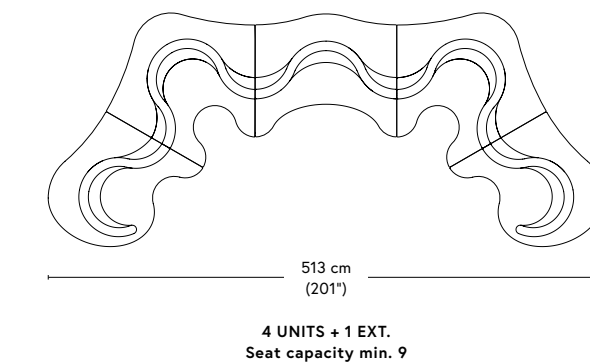
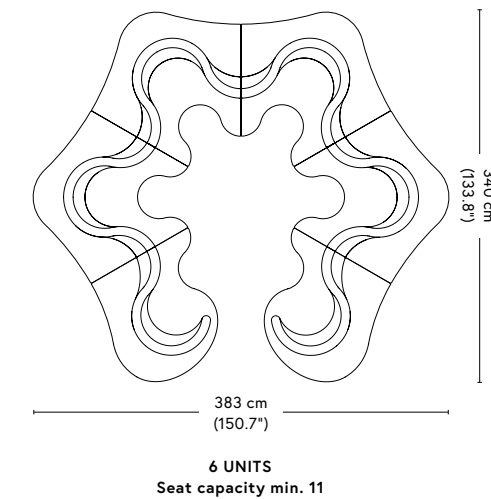
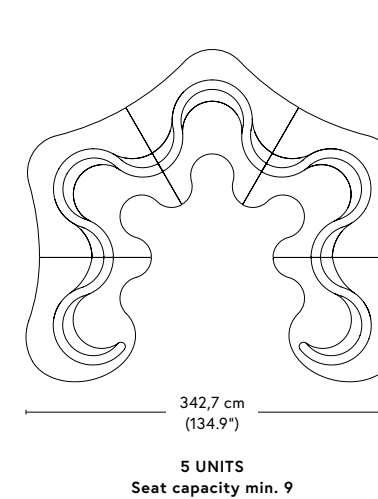
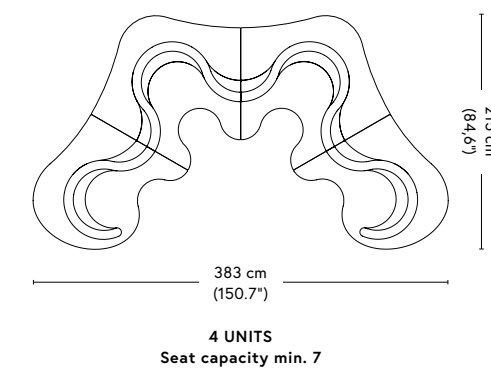
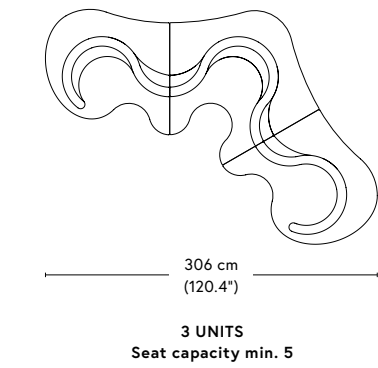
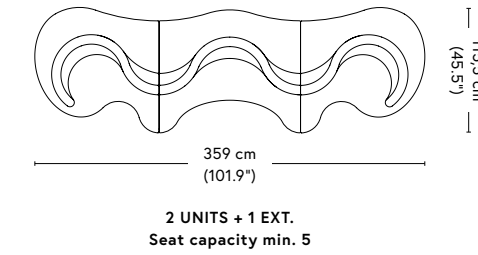
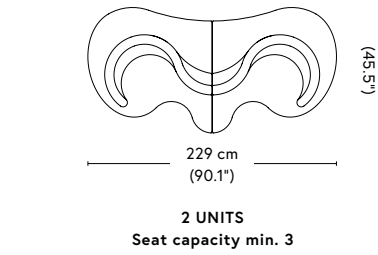
Extension unit: 47 kg (81 kg)

## Colours:

White, Opal White, Grey, Black, Lime, Grass Green, Sky Blue, Dark Blue, Yellow, Orange, Red  
Custom RAL colours available upon request.



FURNITURE





# VP168 SOFA 1987

FURNITURE

## Description

Fully upholstered three seater sofa with pocket springs and wood frame. Comes with two cushions. The sofa comes in three parts.

## Material

Frame and base in FSC certified wood. HR foam (Cal 117) as standard, CMHR Foam (CRIB 5) upon request. Pocket springs in seat, pillows filled with natural feathers.

## Product dimensions

H: 78 cm (31")  
L: 253,5 cm (99.8")  
D: 95 cm (37.4")  
Seat height: 44 cm (17.32")

## Certifications

Contract standard

## Box dimensions

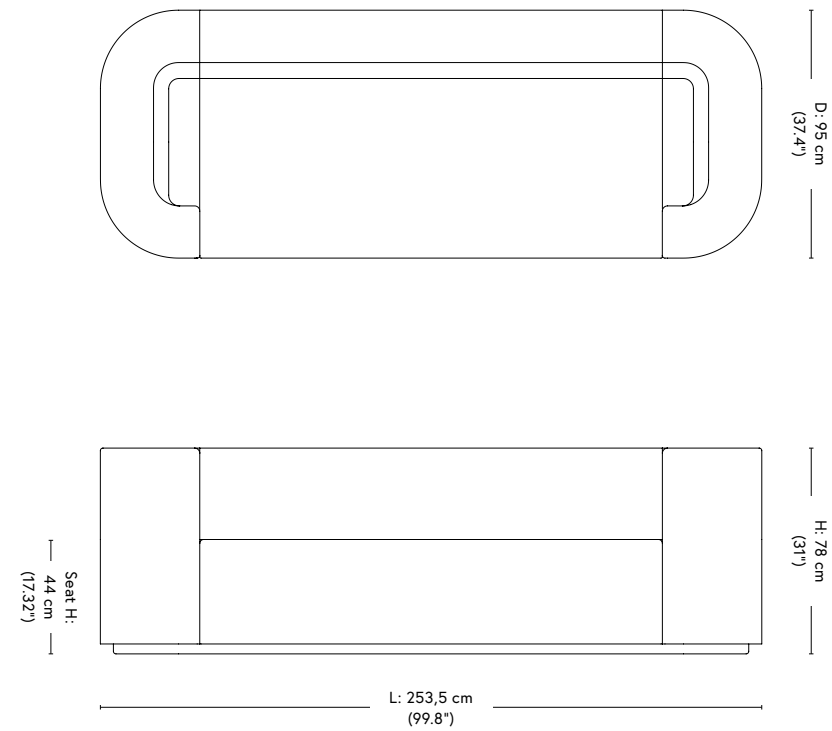
185 x 185 x 86 cm (73 x 73 x 34")

## Weight

112 kg / 136 kg incl. packaging

## Upholstery

For details regarding available fabric options, please refer to our Upholstery Programme.



# EASY SOFA 1963

FURNITURE

## Description

Four seated circular shaped sofa offering a generous seating space and large u-shaped enveloping backrests that doubles as armrests.

## Material

FSC & TSCA certified plywood, MDP and MDF. HR foam (Cal 117) as standard, VB foam and fire resistant CH foam upon request.

## Product dimensions

H: 76 cm (29.9")  
Ø170 cm (66.9")  
Seat height: 44 cm (17.3")

## Certifications

Contract standard

## Box dimensions

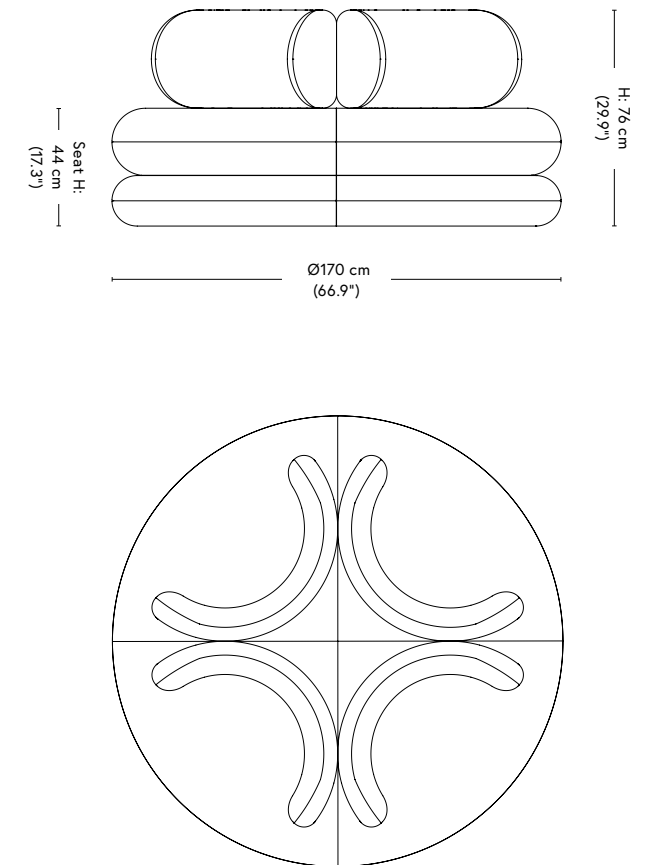
Box 1: 170 x 42 x 180 cm (66.9 x 16.5 x 70.8")  
Box 2: 40 x 40 x 100 cm (15.7 x 15.7 x 39.3")

## Weight

111 kg / 115 kg incl. packaging

## Upholstery

For details regarding available fabric options, please refer to our Upholstery Programme.



# EASY CHAIR 1963

FURNITURE

## Description

Sculptural lounge chair with two round cushions and a large u-shaped enveloping backrest. Swivel option available.

## Material

FSC & TSCA certified plywood, MDP and MDF. HR foam (Cal 117) as standard, VB foam and fire resistant CH foam upon request.

## Product dimensions

H: 76 cm (29.9")  
Ø80 cm (31.5")  
Seat height: 44 cm (17.3")

## Certifications

Contract standard

## Box dimensions

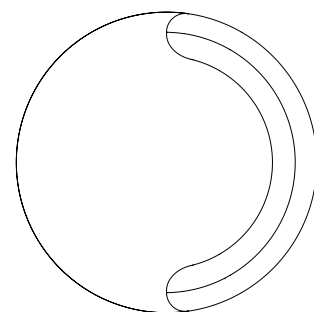
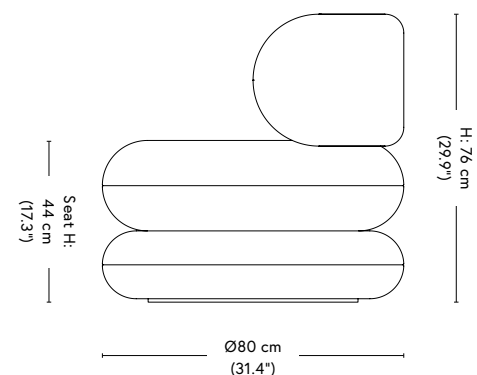
85 × 85 × 85 cm (33.5 × 33.5 × 33.5")

## Weight

41 kg / 46 kg incl. packaging

## Upholstery

For details regarding available fabric options, please refer to our Upholstery Programme.



# EASY POUF 1963

FURNITURE

## Description

The pouf is designed with soft round shapes, two-piece layered design and plush seating comfort.

## Material

FSC & TSCA certified plywood, MDP and MDF. HR foam (Cal 117) as standard, fire resistant CH foam upon request.

## Product dimensions

H: 44 cm (17.3")  
Ø80 cm (31.5")

## Certifications

Contract standard

## Box dimensions

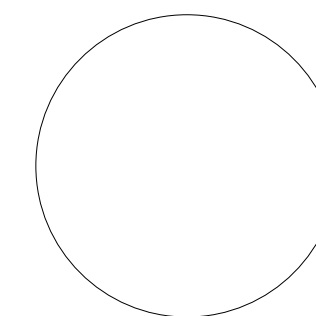
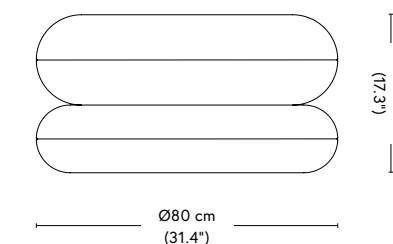
85 × 85 × 50 cm (33.5 × 33.5 × 19.6")

## Weight

20 kg / 24 kg incl. packaging

## Upholstery

For details regarding available fabric options, please refer to our Upholstery Programme.



# WELLE 1 1969

FURNITURE

## Description

Low lounge seating landscape consisting of six different units. Works well in pairs or triplets and randomly mixed.

## Material

Frame in FSC certified plywood. HR foam (Cal 117) as standard. CMHR foam (CRIB 5) upon request.

## Product dimensions

L: 162 cm (63.8")  
H: 102 cm (40.2")  
W: 50 cm (19.7")

## Certifications

Contract standard

## Box dimensions

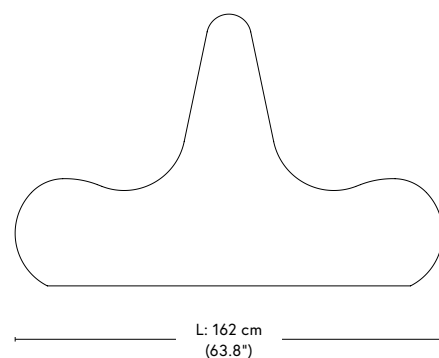
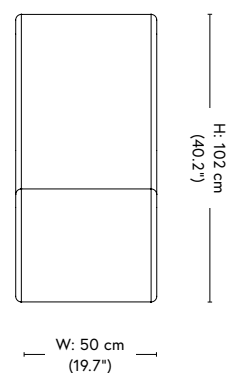
167 × 55 × 109 cm (65.7 × 42.9 × 21.6")

## Weight

25 kg / 30,42 kg incl. packaging

## Upholstery

For details regarding available fabric options, please refer to our Upholstery Programme.



# WELLE 2 1969

FURNITURE

## Description

Low lounge seating landscape consisting of six different units. Works well in pairs or triplets and randomly mixed.

## Material

Frame in FSC certified plywood. HR foam (Cal 117) as standard. CMHR foam (CRIB 5) upon request.

## Product dimensions

L: 108 cm (42.5")  
H: 80 cm (31.5")  
W: 50 cm (19.7")

## Certifications

Contract standard

## Box dimensions

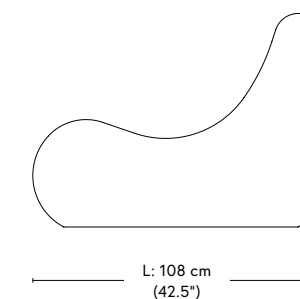
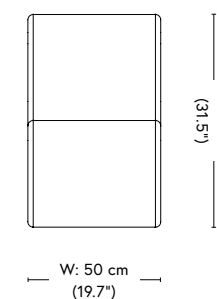
113 × 55 × 86 cm (44.4 × 33.8 × 21.6")

## Weight

15 kg / 18,56 kg incl. packaging

## Upholstery

For details regarding available fabric options, please refer to our Upholstery Programme.



# WELLE 3 1969

FURNITURE

## Description

Low lounge seating landscape consisting of six different units. Works well in pairs or triplets and randomly mixed.

## Material

Frame in FSC certified plywood. HR foam (Cal 117) as standard. CMHR foam (CRIB 5) upon request.

## Product dimensions

L: 240 cm (94.5")  
H: 70 cm (31.5")  
W: 50 cm (19.7")

## Certifications

Contract standard

## Box dimensions

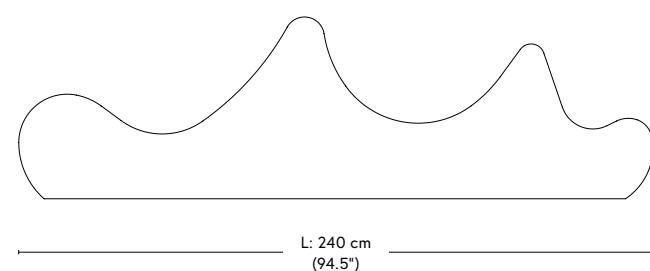
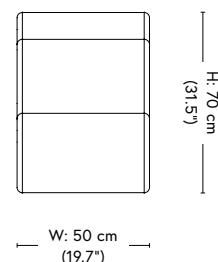
243 × 74 × 54 cm (95.7 × 29.1 × 21.2")

## Weight

25 kg / 30,67 kg incl. packaging

## Upholstery

For details regarding available fabric options, please refer to our Upholstery Programme.



# WELLE 4 1969

FURNITURE

## Description

Low lounge seating landscape consisting of six different units. Works well in pairs or triplets and randomly mixed.

## Material

Frame in FSC certified plywood. HR foam (Cal 117) as standard. CMHR foam (CRIB 5) upon request.

## Product dimensions

L: 140 cm (55.1")  
H: 63 cm (24.8")  
W: 50 cm (19.7")

## Certifications

Contract standard

## Box dimensions

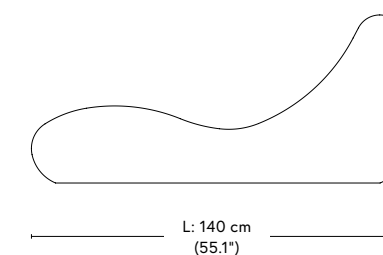
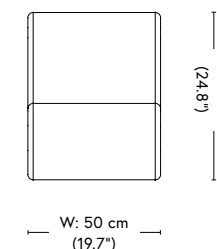
144 × 69 × 55 cm (56.7 × 27.1 × 21.6")

## Weight

15 kg / 18,69 kg incl. packaging

## Upholstery

For details regarding available fabric options, please refer to our Upholstery Programme.



# WELLE 5 1969

FURNITURE

## Description

Low lounge seating landscape consisting of six different units. Works well in pairs or triplets and randomly mixed.

## Material

Frame in FSC certified plywood. HR foam (Cal 117) as standard. CMHR foam (CRIB 5) upon request.

## Product dimensions

L: 108 cm (42.5")  
H: 40 cm (15.7")  
W: 50 cm (19.7")

## Certifications

Contract standard

## Box dimensions

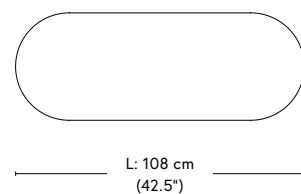
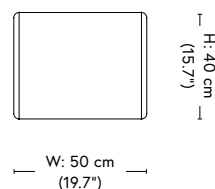
112 × 46 × 55 cm (44 × 18.1 × 21.6")

## Weight

10 kg / 13,45 kg incl. packaging

## Upholstery

For details regarding available fabric options, please refer to our Upholstery Programme.



# WELLE 6 1969

FURNITURE

## Description

Low lounge seating landscape consisting of six different units. Works well in pairs or triplets and randomly mixed.

## Material

Frame in FSC certified plywood. HR foam (Cal 117) as standard. CMHR foam (CRIB 5) upon request.

## Product dimensions

L: 54 cm (21.3")  
H: 40 cm (15.7")  
W: 50 cm (19.7")

## Certifications

Contract standard

## Box dimensions

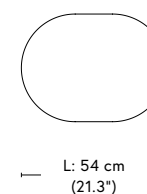
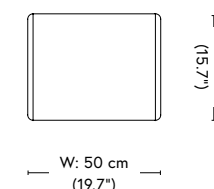
59 × 46 × 55 cm (23.2 × 18.1 × 21.6")

## Weight

6 kg / 7,71 kg incl. packaging

## Upholstery

For details regarding available fabric options, please refer to our Upholstery Programme.



# FLYING CHAIR

## 1964

FURNITURE

### Description

Fully upholstered lounge chair, suspended from the ceiling on both sides using nylon ropes, making it possible to adjust the height and seating position.

### Material

FSC-approved form pressed plywood, supporting steel frame, CMHR foam, polyester ropes with steel fixtures.

### Product dimensions

L: 150 cm (59")  
W: 80 cm (31.5")  
Hanging height/rope length: 200 cm (78.7")

### Certifications

Contract standard

### Box dimensions

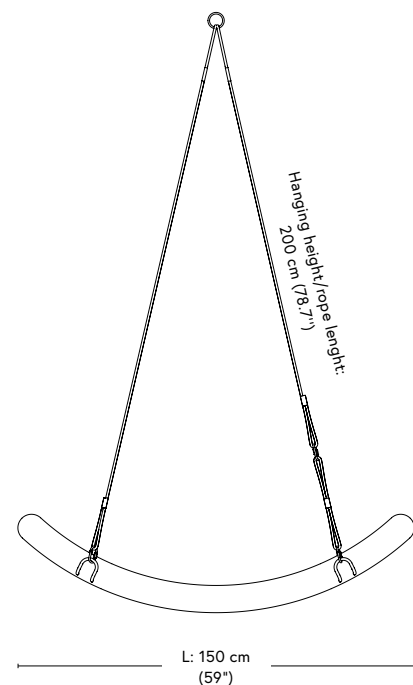
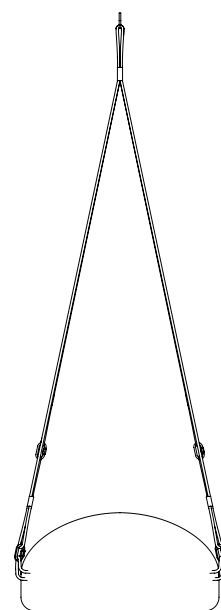
154 × 93 × 62 cm (60.6 × 36.6 × 24.4")

### Weight

20 kg / 23 kg incl. packaging

### Upholstery

For details regarding available fabric options, please refer to our Upholstery Programme.



# PANTO POP CHAIR

## 1969

FURNITURE

### Description

Stackable lounge chair made from Polypropylene. In- and outdoor ready.

### Material

Polypropylene

### Product dimensions

H: 54 cm (21.3")  
Ø81 cm (31.8")  
Seat height: 32/25 cm (12.59/9.84")

### Certifications

Contract standard

### Box dimensions

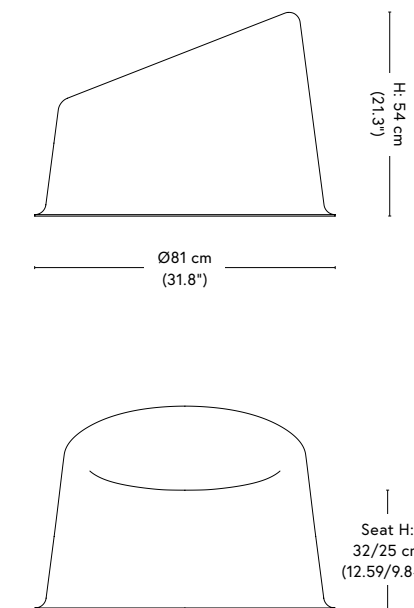
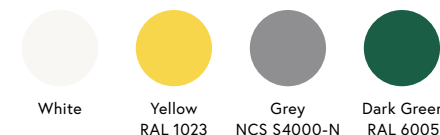
85 × 85 × 70 cm (33.5 × 33.5 × 27.6")

### Weight

4,75 kg / 7,9 kg incl. packaging

### Colours

White, Yellow, Grey, Dark Green.  
Custom colours upon request.



# PANTON MOVE TABLE 1972

FURNITURE

## Description

Multifunctional rectangular table on lockable TENTE wheels.

## Material

Frame in powder coated square steel tube, MDF table top with Fenix nanotech laminate, mounted with lockable TENTE wheels.

## Product dimensions

H: 73 cm (28.7")

W: 95 cm (37.4")

L: 200 cm (78.7")

## Certifications

Contract standard

## Box dimensions

98 × 204 × 21 cm (38.5 × 80.3 × 8.26")

## Weight

45 kg / 49,5 kg incl. packaging

## Colour options

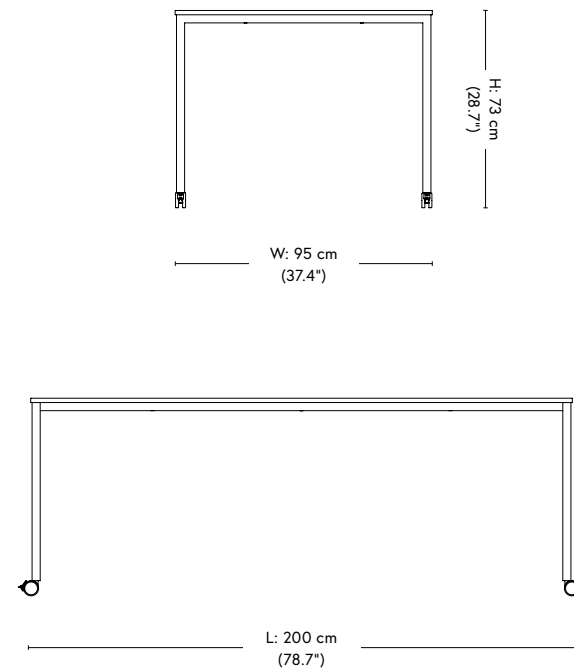
Black, White



Black  
RAL 9011  
Fenix 0720



White  
RAL 9016  
Fenix 0030



# SERIES 430 TABLE 1967

FURNITURE

## Description

Round dining table with obvious frame. Legs placed outside the frame of the table.

## Material

Powder coated metal legs. MDF table top with Fenix nanotech laminate. Height adjustable feet

## Product dimensions

H: 75 cm (29.5")

Ø120 cm (47.2") / Ø160 cm (63")

## Certifications

Contract standard

## Box dimensions

Ø120: 127 × 127 × 27 cm (50 × 50 × 10.6")

Ø160: 164 × 164 × 28 cm (64.5 × 64.5 × 11")

## Weight

Ø120: 34 kg / 39 kg incl. packaging

Ø160: 56 kg / 62 kg incl. packaging

## Colour options

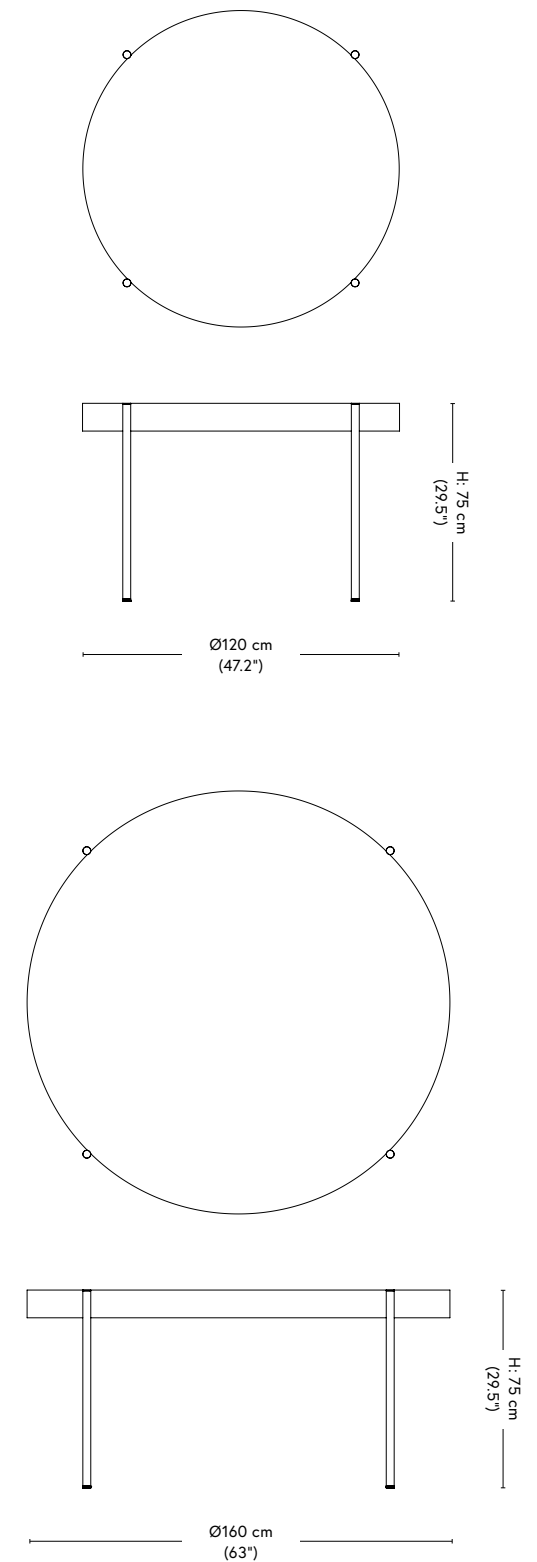
Black, White



Black  
RAL 9011  
Fenix 0720



White  
RAL 9016  
Fenix 0030



# BARBOY 1963

FURNITURE

## Description

Adaptable side table and mobile storage unit in one. Barboy consists of three circular-shaped drawers, which can be pulled out fully so the whole surface can be used.

## Material

Molded and painted 100% FSC wood. Stainless steel knob. Chrome plated castors. Plastic castors available upon request.

## Product dimensions

H: 72.5 cm (28.5")  
Ø38 cm (15")

## Certifications

Contract standard

## Box dimensions

43 x 43 x 79 cm (16.9 x 16.9 x 31.1")

## Weight

20 kg / 24,5 kg incl. packaging

## Colour options

Black, White, Blue, Orange, Mushroom, Lilac Grey



Black  
RAL 9005



White  
RAL 9010



Blue  
NCS 7020-R90B



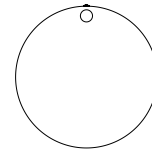
Orange  
RAL 2001



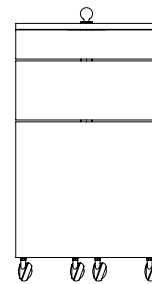
Mushroom  
RAL 1019



Lilac grey  
RAL 7042



Ø38 cm  
(15")



H: 72.5 cm  
(28.5")

# SYSTEM I-2-3 MIRROR 1973

FURNITURE

## Description

Oval shaped double sided mirror fitted in an oval frame. Turns 360°.

## Material

Chrome plated steel frame and butterfly steel base. 4 mm double sided mirror.

## Product dimensions

H: 169 cm (62.5")  
W: 59 cm (23.2")  
D: 46 cm (18.1")

## Certifications

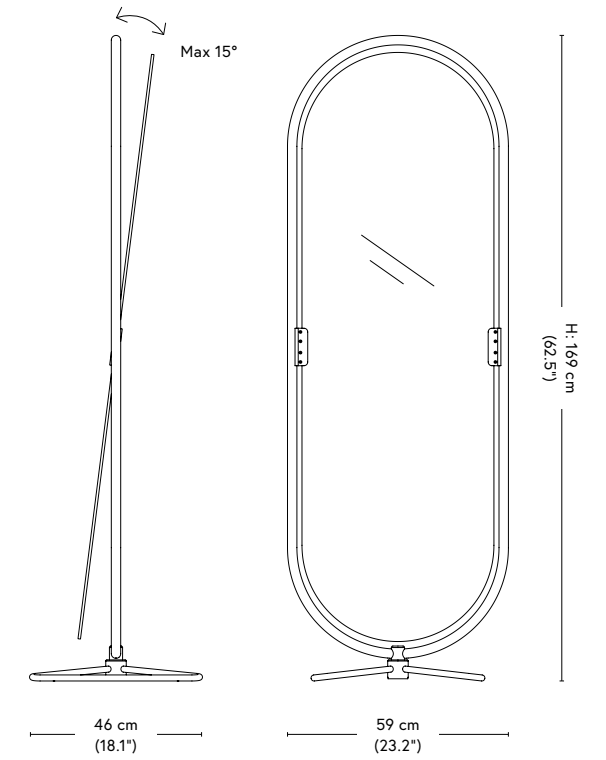
Contract standard

## Box dimensions

183 x 65 x 19 cm (72 x 25.5 x 7.4")

## Weight

24,5 kg / 26 kg incl. packaging





# SYSTEM I-2-3 RACK 1973

FURNITURE

## Description

Oval shaped clothing rack for hangers. Turns 360°.

## Material

Chrome plated steel frame and butterfly steel base.

## Product dimensions

H: 169 cm (62.5")

W: 59 cm (23.2")

D: 46 cm (18.1")

## Certifications

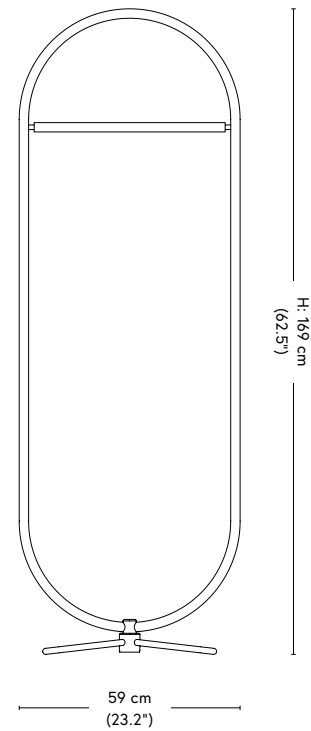
Contract standard

## Box dimensions

183 × 65 × 19 cm (72 × 25.5 × 7.4")

## Weight

10 kg / 11,5 kg incl. packaging



# MIRROR SCULPTURES 1965

OBJECTS

## Description

Wall decoration with one, four or nine mirror pyramids.  
Wall mounting bracket included.

## Material

3.5mm acrylic vacuum foam with PVD, chrome plated.  
Metal wall mount.

## Product dimensions

1 pyramid: 48 × 48 × 27 cm (18.9 × 18.9 × 10.6")

4 pyramids: 48 × 48 × 14,5 cm (18.9 × 18.9 × 5.7")

9 pyramids: 48 × 48 × 10 cm (18.9 × 18.9 × 3.9")

## Box dimensions

1 pyramid: 50 × 51 × 27 cm (19.6 × 20 × 10.6")

4 pyramids: 50 × 51 × 15 cm (19.6 × 20 × 5.9")

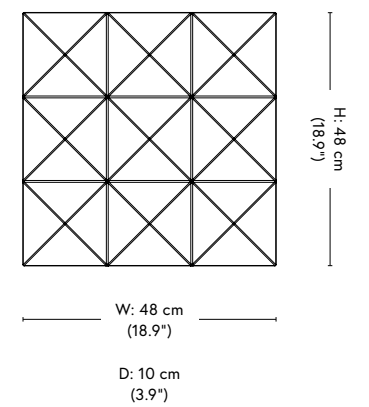
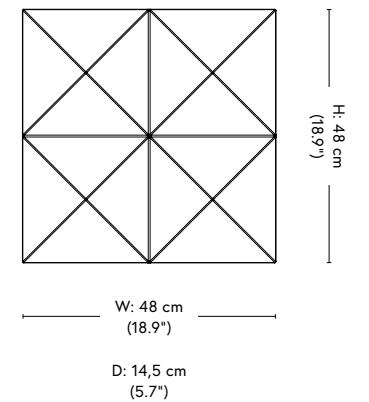
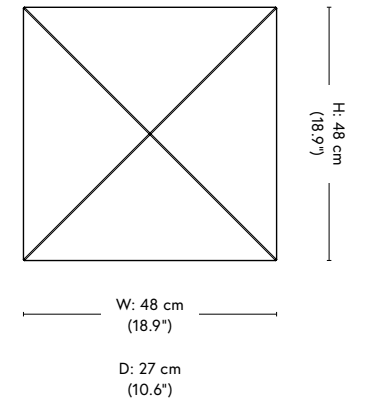
9 pyramids: 50 × 51 × 12 cm (19.6 × 20 × 4.7")

## Weight

1 pyramid: 3,36 kg / 4,2 kg incl. packaging

4 pyramids: 2,72 kg / 3,4 kg incl. packaging

9 pyramids: 2,72 kg / 3,24 kg incl. packaging



# MIRROR THROW 1965

OBJECTS

## Description

Wool throw with Verner Panton's Mirror pattern.

## Material

100% wool.

## Product dimensions

190 × 130 cm (74.8 × 51")

## Box dimensions

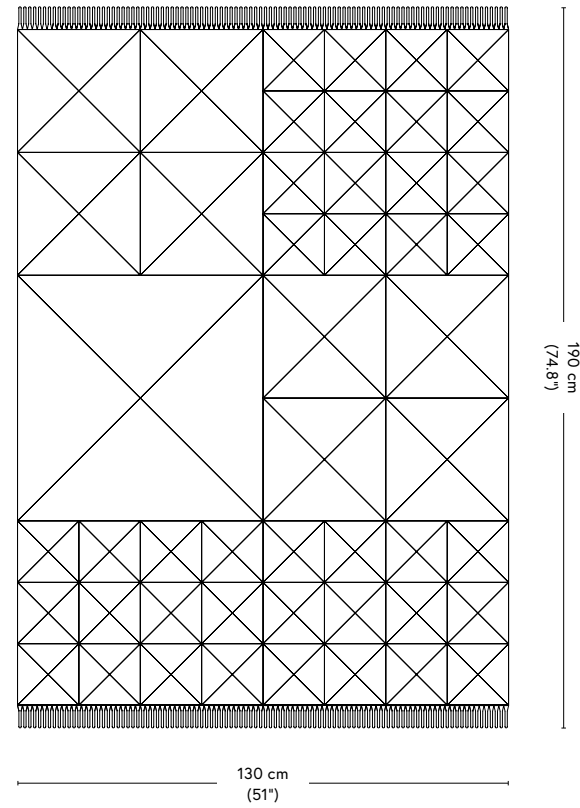
36 × 48 × 7 cm (14.7 × 18.8 × 2,7")

## Weight

0,5 kg / 0,7 kg incl. packaging

## Colours

Black, Dark Green, Blue, Yellow, Orange, Sand



# LUNA RUG 1979

OBJECTS

## Description

A hand-tufted circular rug featuring an organic circle pattern with varying gradients of colour.

## Material

100% New Zealand wool.

## Product dimensions

Ø120 cm (47.2")

## Box dimensions

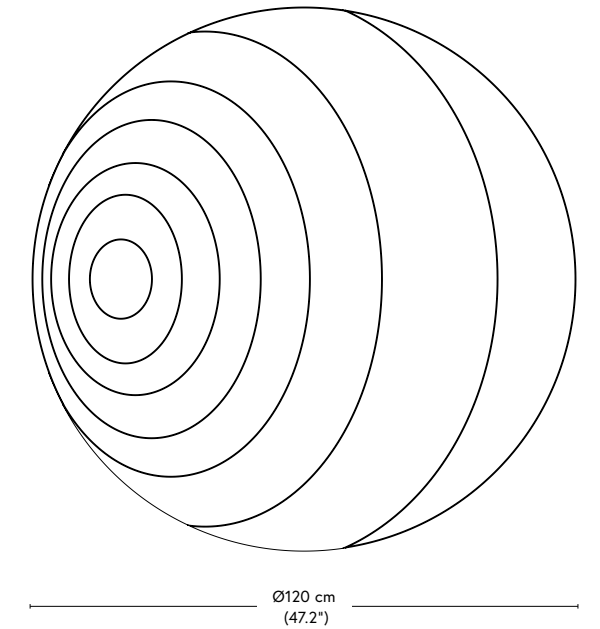
18 × 124 × 18 cm (7.0 × 48.8 × 7.0")

## Weight

5 kg / 5,2 kg incl. packaging

## Colours

Grey, Dark Green, Dark Sand, Dark Yellow, Rose



# WAVE RUG 1974

OBJECTS

## Description

A hand-tufted rectangular rug with an organic wavy pattern in a colour gradient.

## Material

100% New Zealand wool.

## Product dimensions

240 x 170 cm (94.5 x 66.9")

## Box dimensions

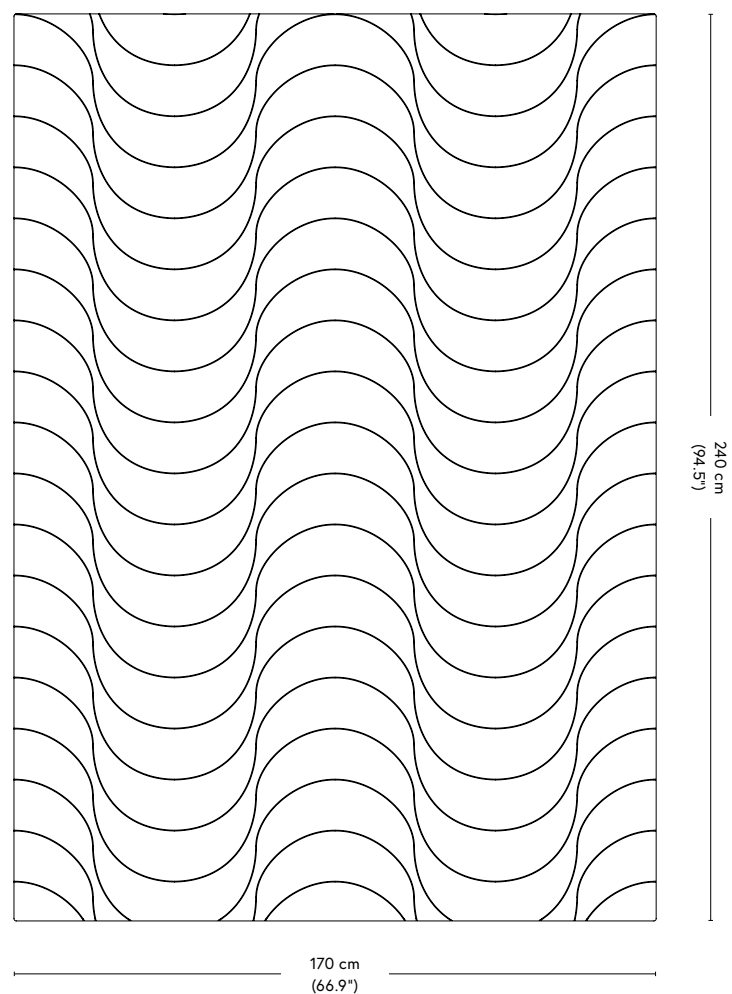
23 x 23 x 175 cm (9 x 9 x 68.9")

## Weight

20,5 kg / 21 kg incl. packaging.

## Colours

Grey, Yellow, Orange



# HIVE PENDANT 1980

LIGHTING

## Description

Pendant with direct downward light and layered shades diffusing the light through-out the surroundings. Ceiling canopy included.

## Material

Polished or powder coated aluminium. Ceiling canopy in same colour/finish as lamp.

## Light source

E27 (220V) max. 60W / E26 US (120V) max. 60W  
IP20. Bulb is not included

## Cord

Black fabric 300 cm (118")

## Certifications

CE / UKCE / UL

## Product dimensions

H: 27 cm (10.6")  
Ø48 cm (19")

## Box dimensions

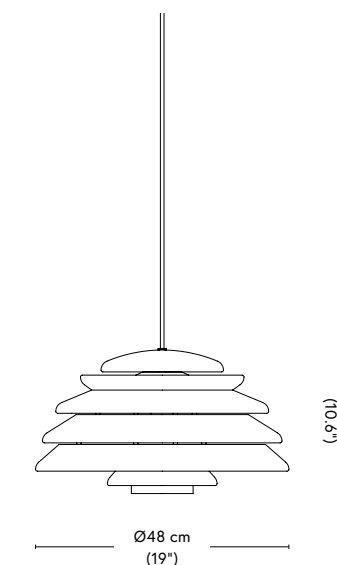
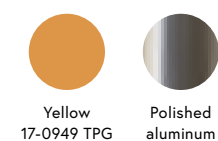
54 x 53,5 x 36,5 cm (21 x 21 x 14")

## Weight

3,7 kg / 4,7 kg incl. packaging

## Colour

Yellow, Polished aluminum



# FUN PENDANT ODM/1DM/2DM 1964

LIGHTING

## Description

Pendant with discs on two, three or four ring metal frame.  
Discs are connected with small rings. Ceiling canopy included.

## Material

Chrome plated metal frame, stainless steel rings  
and seashell discs. Chrome ceiling canopy.

## Light source

E27 (220V) max. 60W / E26 US (120V) max. 60W  
IP20. Bulb is not included

## Cord

Black fabric 400 cm (157.5")

## Certifications

CE / UKCE / UL

## Product dimensions

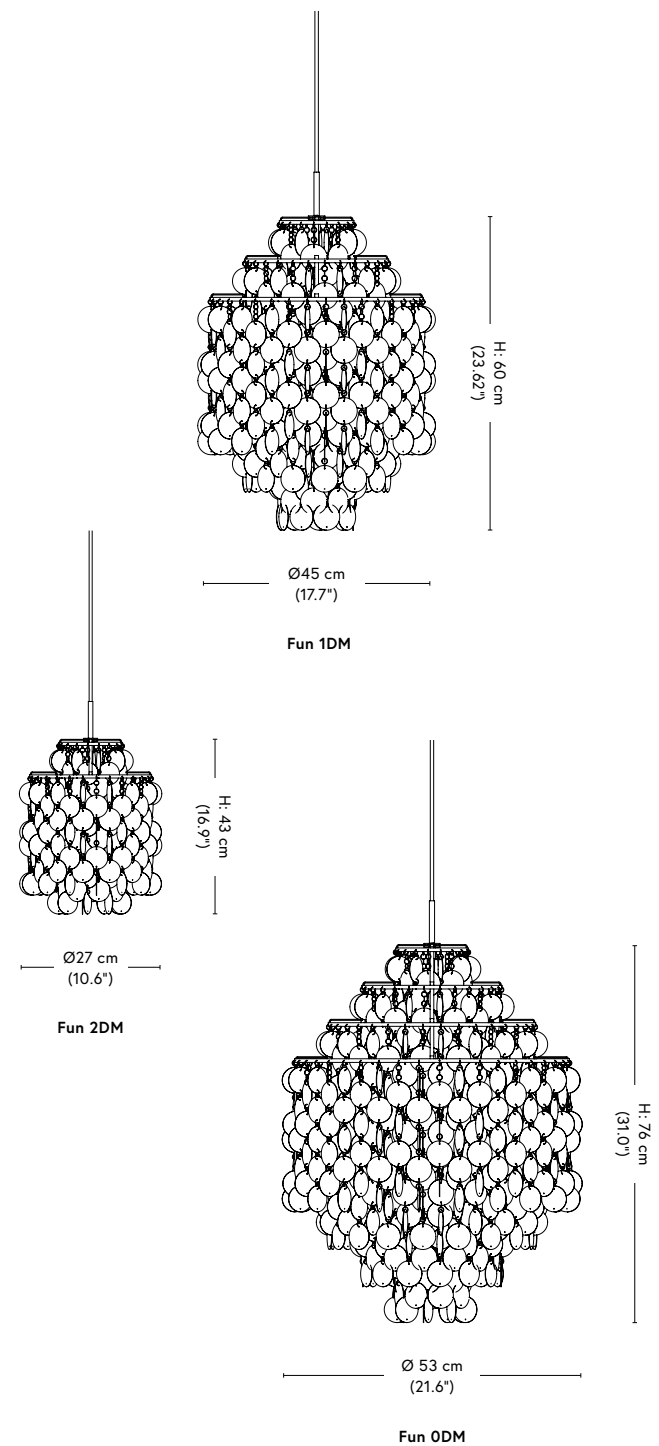
2DM: H: 43 cm (16.9") × Ø27 cm (10.6")  
1DM: H: 60 cm (23.62") × Ø45 cm (17.7")  
ODM: H: 76 cm (31.0") × Ø 53 cm (21.6")

## Box dimensions

2DM: 32 × 32 × 24 cm (12.6 × 12.6 × 9.4")  
1DM: 45 × 45 × 24 cm (17.7 × 17.7 × 9.5")  
ODM: 56 × 56 × 28 cm (22 × 22 × 11")

## Weight

2DM: 2,5 kg / 4 kg incl. packaging  
1DM: 4 kg / 5 kg incl. packaging  
ODM: 5,5 kg / 6,5 kg incl. packaging



# FUN PENDANT 10DM/11DM 1964

LIGHTING

## Description

Pendant with discs on four or five ring metal frame. Discs are  
connected with small rings. Ceiling canopy included.

## Material

Chrome/Brass plated metal frame, stainless steel rings  
and seashell discs. Chrome/Brass ceiling canopy.

## Light source

E27 (220V) max. 60W / E26 US (120V) max. 60W  
IP20. Bulb is not included

## Cord

Black fabric 400 cm (157.5")

## Certifications

CE / UKCE / UL

## Product dimensions

10DM: H: 38 cm (14.9") × Ø57 cm (22.4")  
11DM: H: 44 cm (17.3") × Ø70 cm (27.6")

## Box dimensions

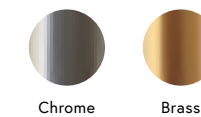
10DM: 63 × 63 × 20 cm (24.8 × 24.8 × 7.9")  
11DM: 75 × 75 × 20 cm (29.5 × 29.5 × 7.9")

## Weight

10DM: 5 kg / 7 kg incl. packaging  
11DM: 8 kg / 10 kg incl. packaging

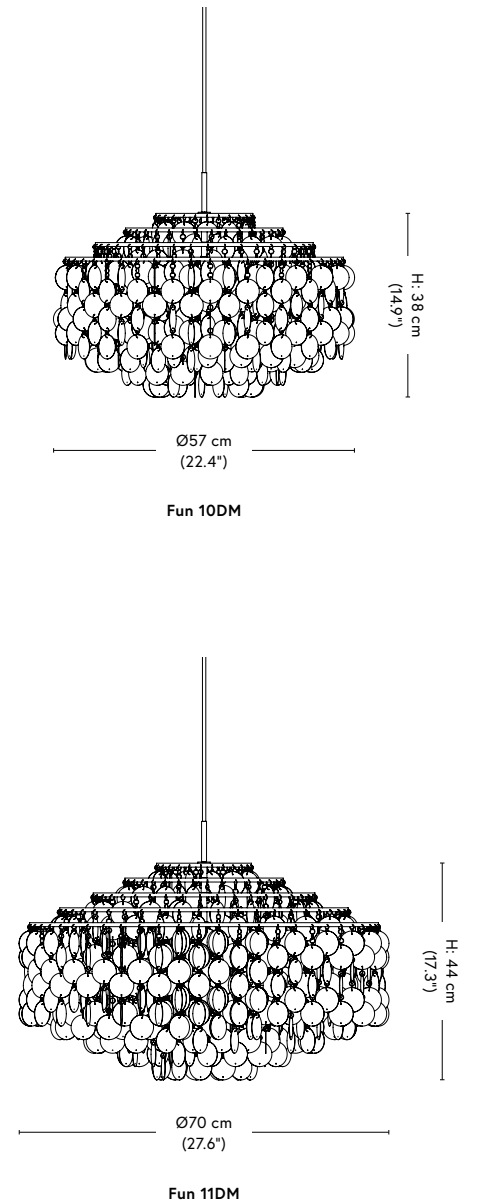
## Frame

Chrome, Brass



Chrome

Brass



# MOON PENDANT 1960

LIGHTING

## Description

Spherical lamp with vertical lamellae, arranged like a fan, for individual regulation of the light. Ceiling canopy included.

## Material

Lamellae and canopy in white lacquered metal.

## Light source

E27 (220V) max. 60W / E26 US (120V) max. 60W  
IP20. Bulb is not included

## Cord

White fabric 250 cm (98.4")

## Certifications

CE / UKCE / UL

## Product dimensions

Ø34 cm (13.4")  
Ø44.5 cm (17.5")

## Box dimensions

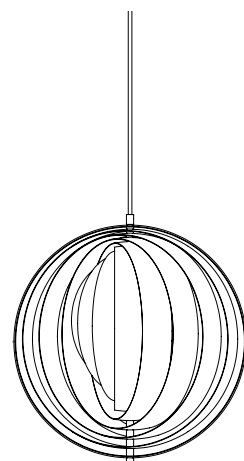
Ø34: 42 × 51 × 11 cm (16.5 × 20 × 4.3")  
Ø44.5: 56 × 55 × 10 cm (22 × 21.7 × 3.9")

## Weight

Ø34: 4 kg / 5,3 kg incl. packaging  
Ø44.5: 7 kg / 8,7 kg incl. packaging



Ø34 cm  
(13.4")



Ø44.5 cm  
(17.5")

# MOON OPAL PENDANT 1960

LIGHTING

## Description

Spherical lamp with vertical lamellae, arranged like a fan, for individual regulation of the light. Ceiling canopy included.

## Material

Lamellae in opal mat acrylic and canopy in white painted metal.

## Light source

E14 (220V) max. 15W / E12 US (120V) max. 15W  
IP20. Bulb is not included

## Cord

White fabric 250 cm (98.4")

## Certifications

CE / UKCE / UL

## Product dimensions

Ø34 cm (13.4")

## Box dimensions

42 × 51 × 11 cm (16.5 × 20 × 4.3")

## Weight

3 kg / 3,2 kg incl. packaging



Ø34 cm  
(13.4")

# VP GLOBE PENDANT 1969

LIGHTING

## Description

Pendant made of transparent acrylic. Five reflectors inside. Suspended by three steel chains. Incl. ceiling canopy

## Material

Acrylic outer sphere, reflectors in polished aluminum/ opal glass/ painted aluminum/ brass plated aluminum/ coloured glass & polished aluminum, suspended in steel chains. Ceiling canopy in chrome/brass pleated or painted metal.

## Light source

Ø28: G9 (220V) max. 60W  
 Ø40: E14 (220V) max. 60W / E12 (220V) max. 60W  
 Ø50: E27 (220V) max. 60W / E26 (220V) max. 60W  
 IP20. Bulb is not included

## Cord

Black/White fabric 400 cm (157.5")

## Certifications

CE / UKCE / UL

## Product dimensions

Ø28 cm (11")  
 Ø40 cm (15.8")  
 Ø50 cm (19.7")

## Box dimensions

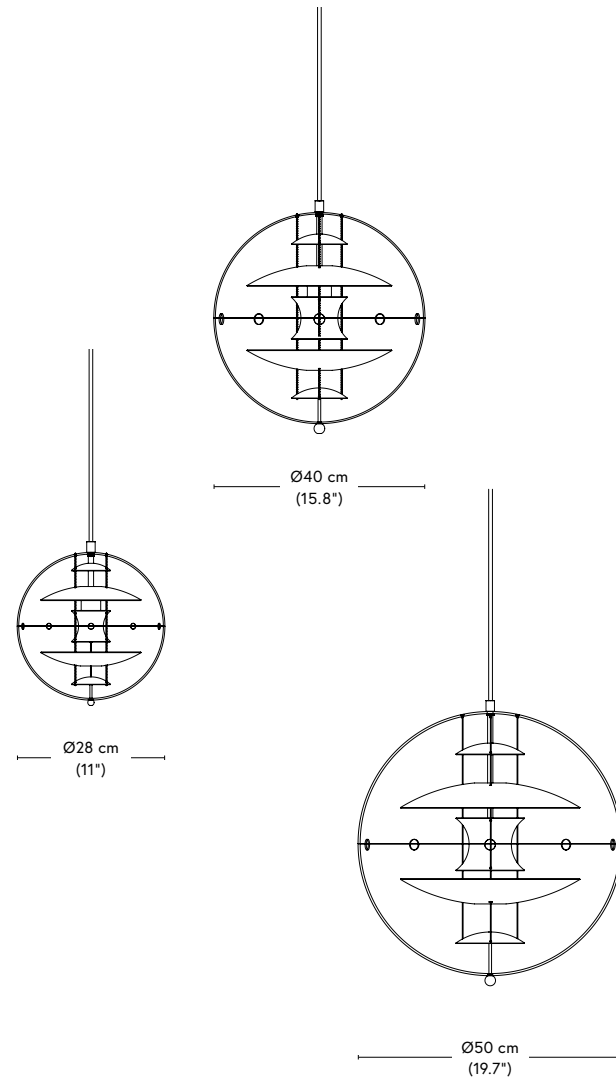
Ø28: 35 × 35 × 44 cm (13.7 × 13.7 × 17.3")  
 Ø40: 47 × 47 × 53 cm (18.5 × 18.5 × 20.9")  
 Ø50: 58 × 58 × 67 cm (19.7 × 19.7 × 26.3")

## Weight

Ø28: 1,8 kg / 3 kg incl. packaging  
 Ø40: 4,5 kg / 6,2 kg incl. packaging  
 Ø50: 7,3 kg / 10 kg incl. packaging

## Colour

Ø28: Chrome/Red/Blue  
 Ø40: Chrome/Red/Blue, Brass/Red/Blue, Coloured Glass, Brushed Alu/Orange, Opal Glass/White  
 Ø50: Chrome/Red/Blue, Opal Glass/White



# PANTO PENDANT 1977

LIGHTING

## Description

Pendant with a transparent acrylic sphere. White reflectors inside, suspended by three steel chains. Incl. ceiling canopy

## Material

Acrylic outer sphere, reflectors in lacquered aluminum suspended in steel chains. Ceiling canopy in white lacquered metal.

## Light source

Ø40: E14 (220V) max. 60W / E12 (220V) max. 60W  
 Ø50: E27 (220V) max. 60W / E26 (220V) max. 60W  
 IP20. Bulb is not included

## Cord

White fabric 400 cm (157.5")

## Certifications

CE / UKCE / UL

## Product dimensions

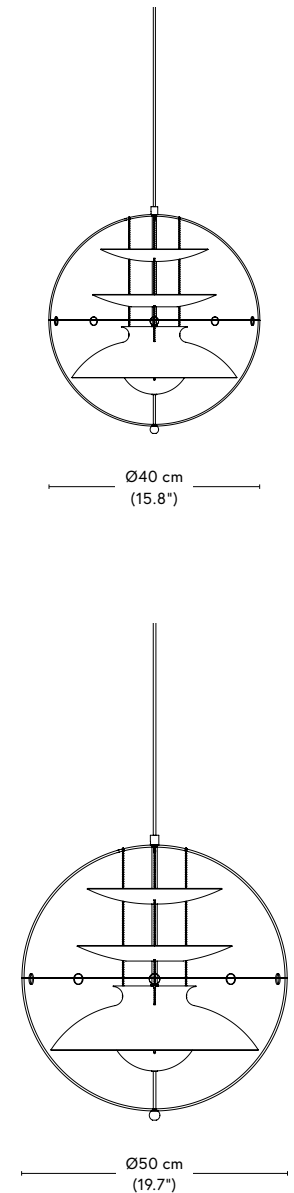
Ø40 cm (15.8")  
 Ø50 cm (19.7")

## Box dimensions

Ø40: 47 × 47 × 53 cm (18.5 × 18.5 × 20.9")  
 Ø50: 58 × 58 × 67 cm (19.7 × 19.7 × 27.2")

## Weight

Ø40: 4 kg / 5,8 kg incl. packaging  
 Ø50: 9 kg / 11,7 kg incl. packaging



# PANTOP PENDANT 1980

LIGHTING

## Description

Pendant characterized by a bell-like, widely flaring shade which is mounted with the aperture facing down. Incl. ceiling canopy.

## Material

Shade is made of metal. Black/White PVC ceiling canopy.

## Light source

E14 (220V) max. 25W / E12 (120V) max. 25W  
IP20. Bulb is not included

## Cord

Black/White fabric 250 cm (98.4")

## Certifications

CE / UKCE / UL

## Product dimensions

H: 16,6 cm (6.5")  
Ø23 cm (9")

## Box dimensions

31 × 29 × 26 cm (12.2 × 11.4 × 10.2")

## Weight

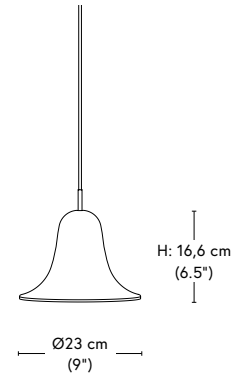
1 kg / 1,55 kg incl. packaging

## Colours

Matte: Black, White, Classic Blue, Metallic

Glossy: Dark Green, Grey Sand, Mint Grey, Light Blue,

Warm Yellow, Bright Red, Burgundy, Dusty Rose



# SPIRAL PENDANT 1962

LIGHTING

## Description

Pendant with spirals on three or four ring metal frame. Spirals are connected to the frame with small rings. Ceiling canopy included.

## Material

Cast ABS plastic silver/gold plated spirals, stainless steel rings. Chrome plated/gilded metal canopy.

## Light source

E27 (220V) max. 60W / E26 US (120V) max. 60W  
IP20. Bulb is not included

## Cord

Mini: Black fabric 240 cm (94.5")  
SP01: Black fabric 400 cm (157.5")

## Certifications

CE / UKCE / UL

## Product dimensions

Mini: H: 55 cm (21.7") × Ø34 cm (13.4")  
SP01: H: 60 cm (23.62") × Ø45 cm (17.7")

## Box dimensions

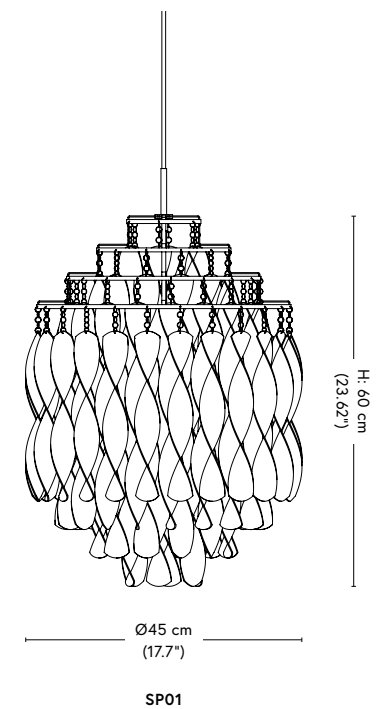
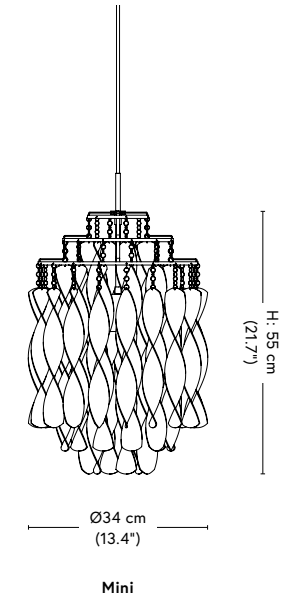
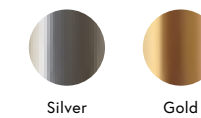
Mini: 70 × 53 × 23 cm (27.5 × 20.9 × 9")  
SP01: 70 × 53 × 23 cm (27.5 × 20.9 × 9")

## Weight

Mini: 2,8 kg / 5 kg incl. packaging  
SP01: 6 kg / 8,7 kg incl. packaging

## Colour

Mini: Silver  
SP01: Silver, Gold



# FUN XL PENDANT 4DM 1964

LIGHTING

## Description

Hanging lamp with one cluster of seashell discs attached by chains of small rings. Mounted on a MDF ceiling plate.

## Material

Seashell discs, stainless steel rings. Ceiling plate in white lacquered MDF.

## Light source

1 × E27 (220V) max. 60W / 1 × E26 (120V) max. 60W  
IP20. Bulb is not included

## Cord

Transparent PVC

## Certifications

CE / UKCE / UL

## Product dimensions

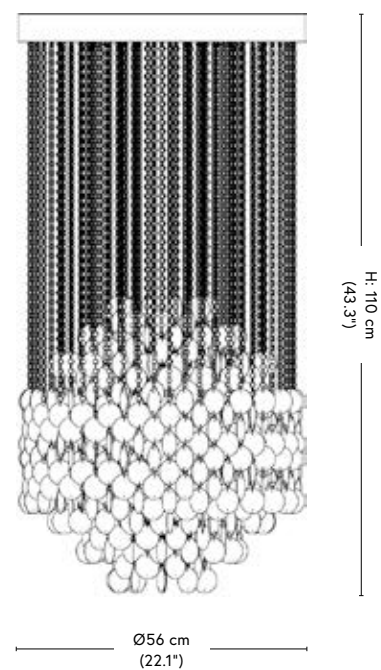
H: 110 cm (43.3")  
Ø56 cm (22.1")

## Box dimensions

Box 1: 57 × 57 × 29 cm (22.4 × 22.4 × 11.4")  
Box 2: 28 × 18 × 16 cm (11 × 7 × 6.2")  
Box 3: 30 × 30 × 22 cm (11.8 × 11.8 × 8.6")

## Weight

11 kg / 15 kg incl. packaging



# FUN XL PENDANT 5DM 1964

LIGHTING

## Description

Hanging lamp with two clusters of seashell discs attached by chains of small rings. Mounted on a MDF ceiling plate.

## Material

Seashell discs, stainless steel rings. Ceiling plate in white lacquered MDF.

## Light source

2 × E27 (220V) max. 60W / 2 × E26 (120V) max. 60W  
IP20. Bulb is not included

## Cord

Transparent PVC

## Certifications

CE / UKCE / UL

## Product dimensions

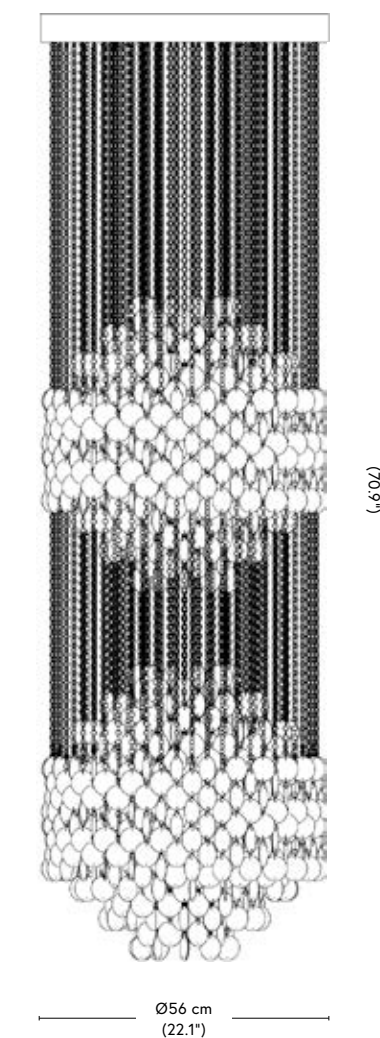
H: 180 cm (70.9")  
Ø56 cm (22.1")

## Box dimensions

Box 1: 49 × 49 × 50 cm (19.2 × 19.2 × 19.6")  
Box 2: 30 × 30 × 25 cm (11.8 × 11.8 × 9.8")

## Weight

16 kg / 19 kg incl. packaging





# FUN XL PENDANT 3DM 1964

LIGHTING

## Description

Hanging lamp with three clusters of seashell discs attached by chains of small rings. Mounted on a MDF ceiling plate.

## Material

Seashell discs, stainless steel rings. Ceiling plate in white lacquered MDF.

## Light source

3 × E27 (220V) max. 60W / 3 × E26 (120V) max. 60W  
IP20. Bulb is not included

## Cord

Transparent PVC

## Certifications

CE / UKCE / UL

## Product dimensions

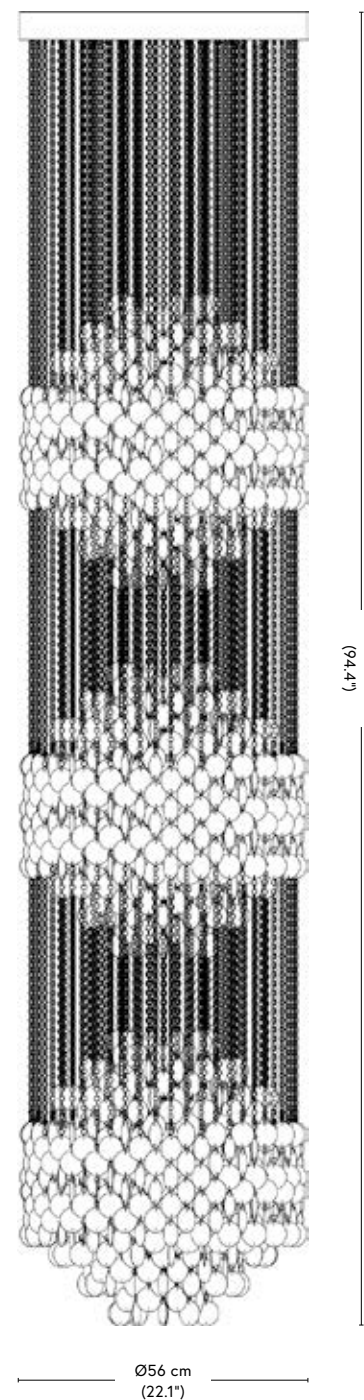
H: 240 cm (94.4")  
Ø56 cm (22.1")

## Box dimensions

Box 1: 49 × 49 × 50 cm (19.2 × 19.2 × 19.6")  
Box 2: 30 × 30 × 22 cm (11.8 × 11.8 × 8.6")

## Weight

18 kg / 21 kg incl. packaging



# FUN XL PENDANT 7DM 1964

LIGHTING

## Description

Hanging lamp with one large cluster of seashell discs attached by chains of small rings. Mounted on a MDF ceiling plate.

## Material

Seashell discs, stainless steel rings. Ceiling plate in white lacquered MDF.

## Light source

1 × E27 (220V) max. 60W / 1 × E26 (120V) max. 60W  
IP20. Bulb is not included

## Cord

Transparent PVC

## Certifications

CE / UKCE / UL

## Product dimensions

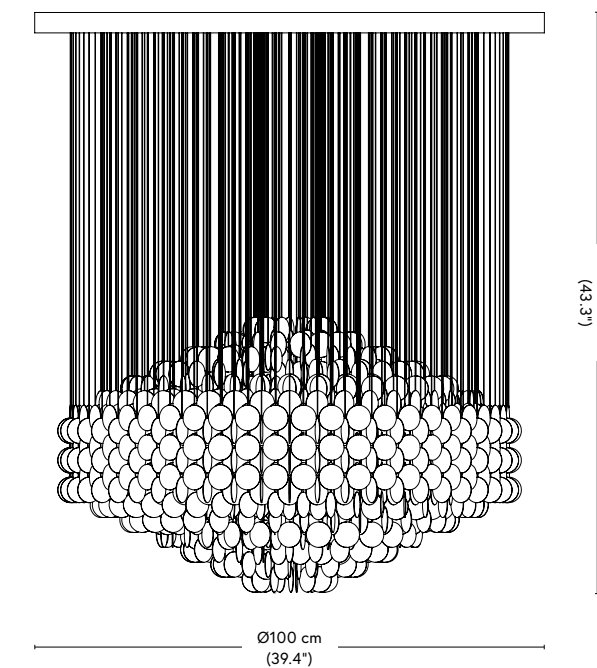
H: 110 cm (43.3")  
Ø100 cm (39.4")

## Box dimensions

Box 1: 49 × 49 × 50 cm (19.2 × 19.2 × 19.6")  
Box 2: 28 × 18 × 16 cm (11 × 7 × 6.2")  
Box 3: 30 × 30 × 22 cm (11.8 × 11.8 × 8.6")

## Weight

54 kg / 65 kg incl. packaging



# FUN XL PENDANT 8DM 1964

LIGHTING

## Description

Hanging lamp with one large cluster of seashell discs attached by chains of small rings. Mounted on a MDF ceiling plate.

## Material

Seashell discs, stainless steel rings. Ceiling plate in white lacquered MDF.

## Light source

3 × E27 (220V) max. 60W / 3 × E26 (120V) max. 60W  
IP20. Bulb is not included

## Cord

Transparent PVC

## Certifications

CE / UKCE / UL

## Product dimensions

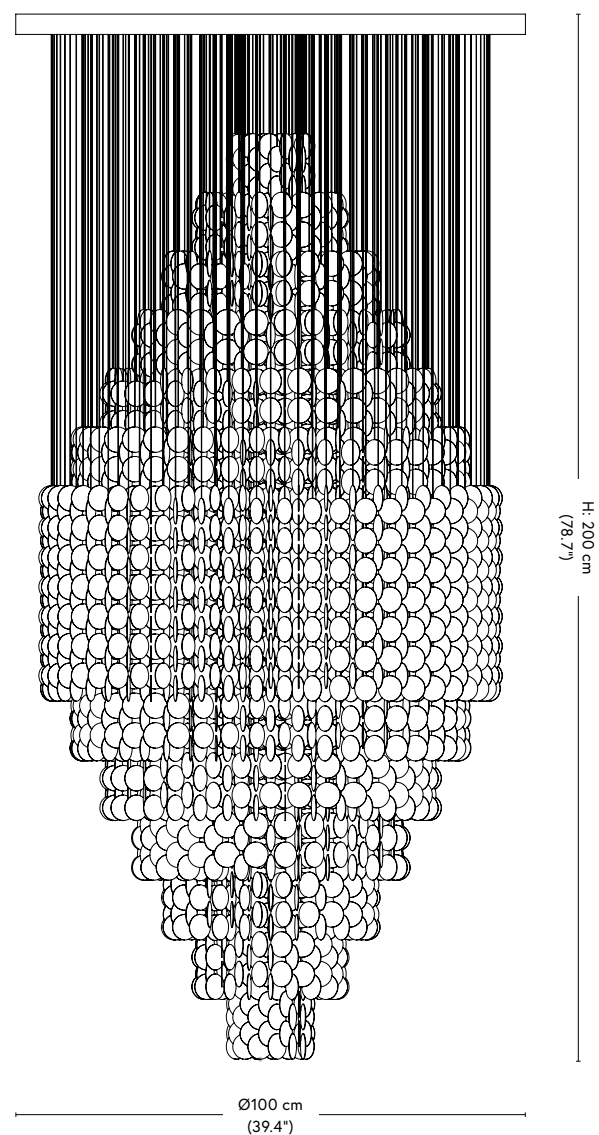
H: 110 cm (43.3")  
Ø100 cm (39.4")

## Box dimensions

Box 1: 58 × 58 × 75 cm (22.8 × 22.8 × 29.5")  
Box 2: 30 × 30 × 22 cm (11.8 × 11.8 × 8.6")

## Weight

60 kg / 77 kg incl. packaging



# MOON XL PENDANT 1960

LIGHTING

## Description

Spherical lamp with vertical lamellae, arranged like a fan, for individual regulation of the light. Custom-made ceiling fitting.

## Material

Lamellae and canopy in white lacquered metal.

## Light source

4 × E27 (220V) max. 60W / 4 × E26 US (120V) max. 60W  
IP20. Bulb is not included

## Cord

White fabric 250 cm (98.4").  
Special requirements for mounting

## Certifications

CE / UKCE / UL

## Product dimensions

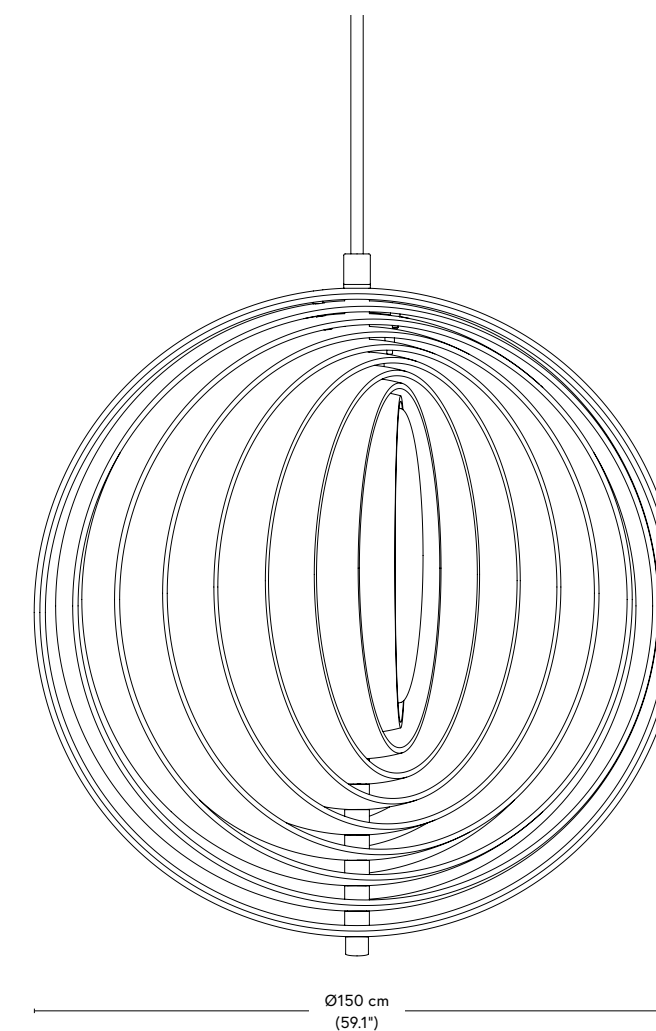
Ø150 cm (59.1")

## Box dimensions

173 × 165 × 38 cm (68 × 65 × 15")

## Weight

100 kg / 125 kg incl. packaging



# SPIRAL XL PENDANT SP1 1962

LIGHTING

## Description

Hanging lamp with one cluster of spirals suspended in nylon strings.

## Material

Cast ABS plastic silver/gold plated spirals, stainless steel rings. Chrome plated/gilded metal canopy included.

## Light source

1 × E27 (220V) max. 60W / 1 × E26 (120V) max. 60W  
IP20. Bulb is not included

## Cord

Transparent PVC

## Certifications

CE / UKCE / UL

## Product dimensions

H: 115 cm (45.3")  
Ø48 cm (18.9")

## Box dimensions

60 × 60 × 79 cm (23.6 × 23.6 × 31.1")

## Weight

10 kg / 11 kg incl. packaging

## Colour

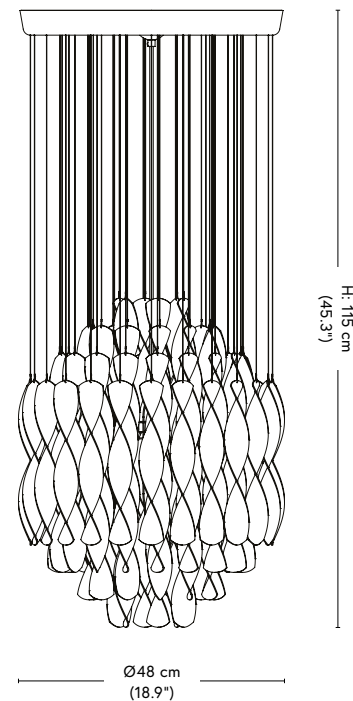
Silver, Gold



Silver



Gold



# SPIRAL XL PENDANT SP2 1962

LIGHTING

## Description

Hanging lamp with two clusters of spirals suspended in nylon strings.

## Material

Cast ABS plastic silver/gold plated spirals, stainless steel rings. Chrome plated/gilded metal canopy included.

## Light source

2 × E27 (220V) max. 60W / 2 × E26 (120V) max. 60W  
IP20. Bulb is not included

## Cord

Transparent PVC

## Certifications

CE / UKCE / UL

## Product dimensions

H: 180 cm (70.9")  
Ø48 cm (18.9")

## Box dimensions

60 × 60 × 79 cm (23.6 × 23.6 × 31.1")

## Weight

12 kg / 14 kg incl. packaging

## Colour

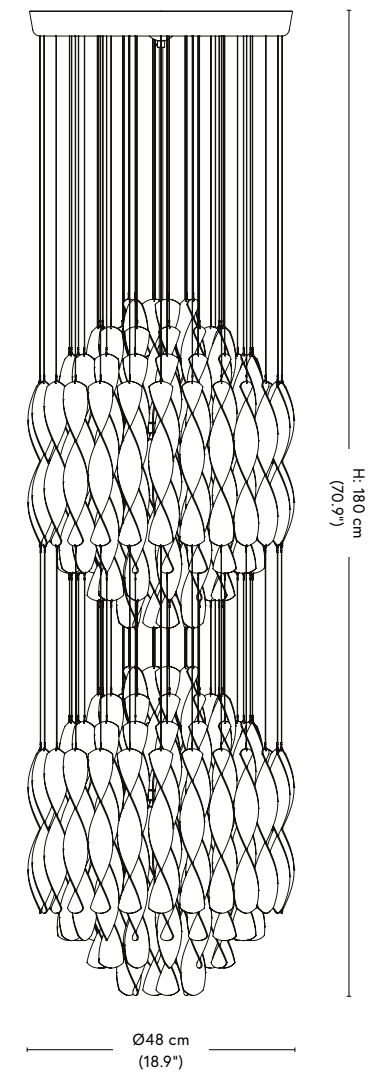
Silver, Gold



Silver



Gold



# SPIRAL XL PENDANT SP3 1962

LIGHTING

## Description

Hanging lamp with three clusters of spirals suspended in nylon strings.

## Material

Cast ABS plastic silver/gold plated spirals, stainless steel rings. Chrome plated/gilded metal canopy included.

## Light source

3 × E27 (220V) max. 60W / 3 × E26 (120V) max. 60W  
IP20. Bulb is not included

## Cord

Transparent PVC

## Certifications

CE / UKCE / UL

## Product dimensions

H: 240 cm (94.4")  
Ø48 cm (18.9")

## Box dimensions

60 × 60 × 79 cm (23.6 × 23.6 × 31.1")

## Weight

14 kg / 17 kg incl. packaging

## Colour

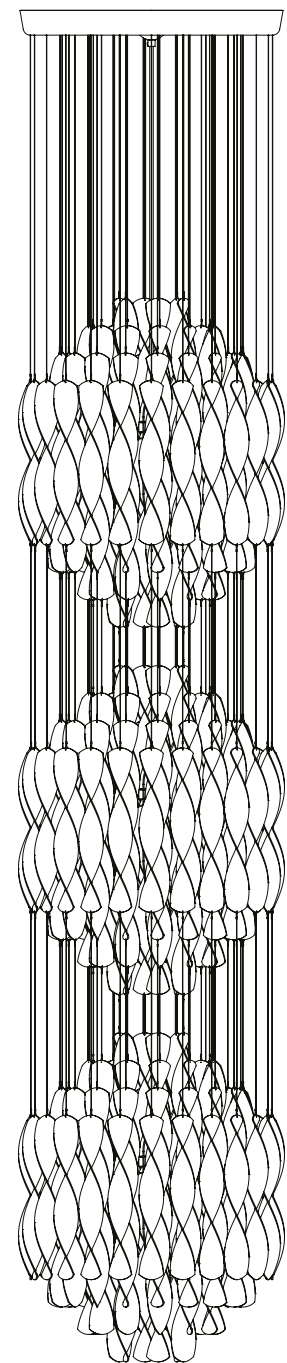
Silver, Gold



Silver



Gold



H: 240 cm  
(94.4")

Ø48 cm  
(18.9")

# FUN TABLE LAMP 1TM/2TM 1964

LIGHTING

## Description

Table lamp with discs on two or three ring metal frame. Discs are connected with small rings.

## Material

Chrome/Brass plated metal frame, stainless steel rings and seashell discs.

## Light source

E27 (220V) max. 60W / E26 US (120V) max. 60W  
IP20. Bulb is not included

## Cord

Transparent w. switch 220 cm (86.6")

## Certifications

CE / UKCE / UL

## Product dimensions

1TM: H: 65 cm (25.6") × Ø40 cm (15.8")  
2TM: H: 43 cm (16.9") × Ø27 cm (10.6")

## Box dimensions

1TM: 48 × 77 × 50 cm (18.9 × 30.3 × 19.7")  
2TM: 33 × 33 × 50 cm (13 × 13 × 19.7")

## Weight

2TM: 2,5 kg / 3 kg incl. packaging  
1TM: 7 kg / 8 kg incl. packaging

## Frame

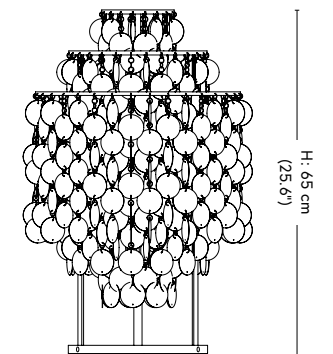
1TM: Chrome  
2TM: Chrome, Brass



Chrome



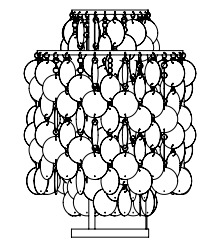
Brass



H: 65 cm  
(25.6")

Ø40 cm  
(15.8")

1TM



H: 43 cm  
(16.9")

Ø27 cm  
(10.6")

2TM

# PANTOP TABLE LAMP 1980

LIGHTING

## Description

Table lamp characterized by a bell-like, widely flaring shade which is mounted with the aperture facing down.

## Material

Base, stem, and shade is made of metal. Glossy versions have a chrome top bolt.

## Light source

E14 (220V) max. 25W / E12 (120V) max. 25W  
IP20. Bulb is not included

## Cord

Transparent w. switch 250 cm (98")

## Certifications

CE / UKCE / UL

## Product dimensions

H: 38 cm (14.9")  
Ø23 cm (9")

## Box dimensions

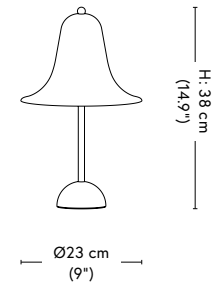
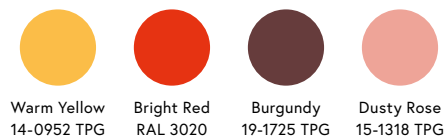
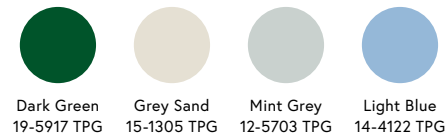
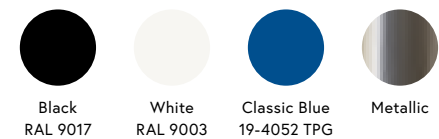
43 × 33 × 30 cm (16.9 × 12.9 × 11.8")

## Weight

4 kg / 4,6 kg incl. packaging

## Colours

Matte: Black, White, Classic Blue, Metallic  
Glossy: Dark Green, Grey Sand, Mint Grey, Light Blue,  
Warm Yellow, Bright Red, Burgundy, Dusty Rose



# PANTOP PORTABLE 1980

LIGHTING

## Description

Portable table lamp characterized by a bell-like, widely flaring shade which is mounted with the aperture facing down.

## Material

Base, stem and shade is made from painted polycarbonate. Dimmer/top bolt is made from brushed metal.

## Light source

1.5W LED Board (Replacable)  
CRI: 85  
Colour temperature (Kelvin): 2700 K  
Light output: 110 lm  
Charging time: 5 hrs  
Life hour: 25,000 hrs  
Dimmable: 3 steps  
IP44

## Battery information

Number of batteries installed (pcs.): 1  
Battery weight: 47 g  
Battery type: 18650  
Battery capacity (mAh): 2600  
Battery capacity (WH): 9,62 WH  
Charging time: 5 hrs  
Operating time: 7 hrs

## Charging Cable

Micro USB 5.0 1A 200 cm (79")

## Certifications

CE / UKCE / UL

## Product dimensions

H: 30 cm (11") / Ø18 cm (7")

## Box dimensions

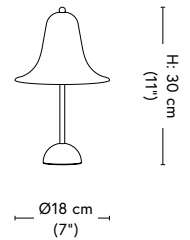
22 × 20 × 34,5 cm (8.6 × 7.8 × 13.6")

## Weight

0,62 kg / 1,36 kg incl. packaging

## Colours

Matte: Black, White, Classic Blue, Terracotta  
Glossy: Dark Green, Grey Sand, Mint Grey, Light Blue, Warm  
Yellow, Bright Red, Burgundy, Dusty Rose, Chrome, Brass



# REFLECT TABLE LAMP 1972

LIGHTING

## Description

Table lamp with slanted disc shade which reflects the light coming from the base of the lamp. White version includes two colour pads to change the colour of light to a red or pink tone.

## Material

Powder coated steel. Shade in powder coated aluminim. White and Grey variants with vertical rod in satin finish stainless steel.

## Light source

E14 (230V) max. 25W / E12 (120V) max. 25W  
IP20. Bulb is not included

## Cord

Black/White fabric w. switch 250 cm (98")

## Certifications

CE / UKCE / UL

## Product dimensions

H: 60 cm (23.6")  
Ø30 cm (11.8")

## Box dimensions

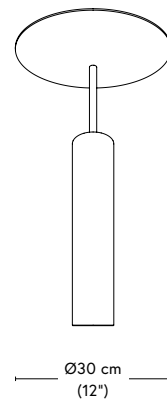
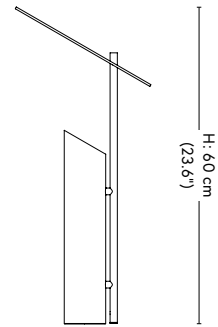
37 × 16 × 50 cm (14.5 × 6.3 × 19.7")

## Weight

4,2 kg / 4,67 kg incl. packaging

## Colour

Matte White, Grey/Satin, Matte Red



# WIRE TABLE LAMP 1980

LIGHTING

## Description

Table lamp with a cylindrical wire framework that widens into a hemisphere at the top.

## Material

Frame in chrome plated steel, shade in acrylic.

## Light source

Ø30: E14 (230V) max. 25W / E12 (120V) max. 25W  
Ø40: E27 (230V) max. 60W / E26 (120V) max. 60W  
IP20. Bulb is not included

## Cord

Transparent w. switch 220 cm (86.6")

## Certifications

CE / UKCE / UL

## Product dimensions

Ø30: H: 42 cm (16.3") × Ø30 cm (11.8")  
Ø40: H: 54 cm (21.3") × Ø40 cm (15.8")

## Box dimensions

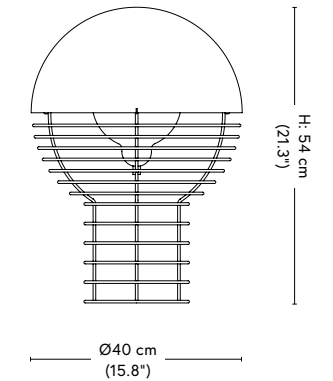
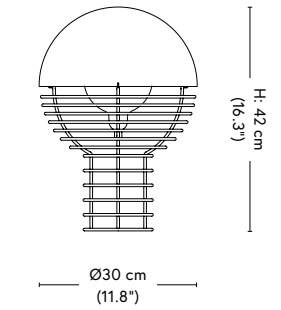
Ø30: 35 × 35 × 47 cm (13.8 × 13.8 × 18.5")  
Ø40: 44 × 45 × 58 cm (17.3 × 17.7 × 22.8")

## Weight

Ø30: 3 kg / 4 kg incl. packaging  
Ø40: 4 kg / 6,29 kg incl. packaging

## Colour

Ø30: White, Yellow, Orange, Red  
Ø40: White, Orange



# FUN FLOOR LAMP 1STM 1964

LIGHTING

## Description

Floor lamp with discs on three ring metal frame.  
Discs are connected with small rings.

## Material

Chrome/Brass plated metal frame, stainless steel rings  
and seashell discs.

## Light source

E27 (220V) max. 60W / E26 US (120V) max. 60W  
IP20. Bulb is not included

## Cord

Transparent w. in-line footswitch 220 cm (86.6")

## Certifications

CE / UKCE / UL

## Product dimensions

H: 120 cm (47.2")  
Ø40 cm (15.8")

## Box dimensions

48 × 50 × 131 cm (18.9 × 19.7 × 51.6")

## Weight

8,5 kg / 10 kg incl. packaging

## Frame

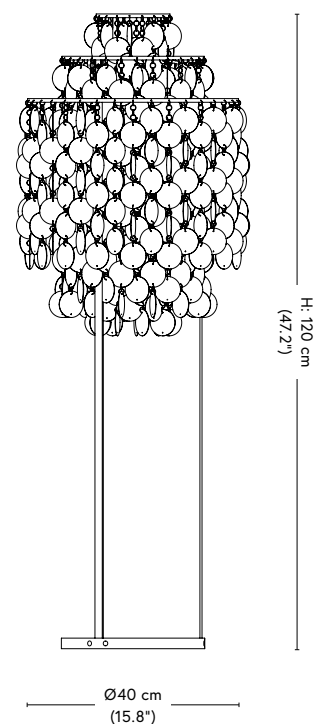
Chrome, Brass



Chrome



Brass



# WIRE FLOOR LAMP 1980

LIGHTING

## Description

Floor lamp with a cylindrical wire framework that widens  
into a hemisphere at the top.

## Material

Frame in chrome plated steel, shade in acrylic.

## Light source

E27 (220V) max. 60W / E26 (120V) max 60W  
IP20. Bulb is not included

## Cord

Transparent w. in-line footswitch 220 cm (86.6")

## Certifications

CE / UKCE / UL

## Product dimensions

H: 120 cm (47.2")  
Ø40 cm (15.8")

## Box dimensions

48 × 48 × 131 cm (18,9 × 18,9 × 52")

## Weight

5,5 kg / 9 kg incl. packaging

## Colour

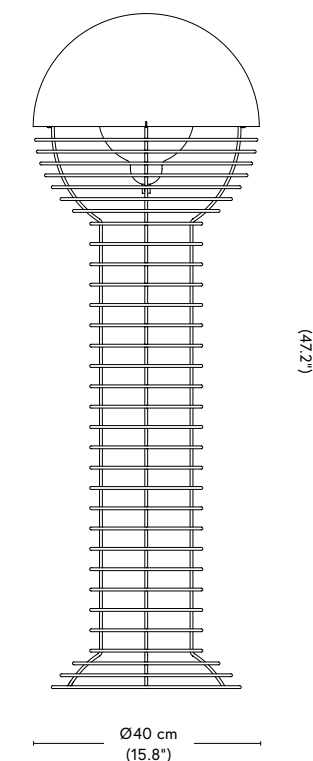
Chrome/White, Chrome/Orange



White



Orange



# FUN WALL LAMP 1WM 1964

LIGHTING

## Description

Wall lamp with discs on three ring metal frame.  
Discs are connected with small rings.

## Material

Chrome plated metal frame, stainless steel rings  
and seashell discs.

## Light source

E27 (220V) max. 60W / E26 US (120V) max. 60W  
IP20. Bulb is not included

## Cord

Transparent w. switch 220 cm (86.6")

## Certifications

CE / UKCE / UL

## Product dimensions

H: 58 cm (22.8")

D: 22 cm (8.7")

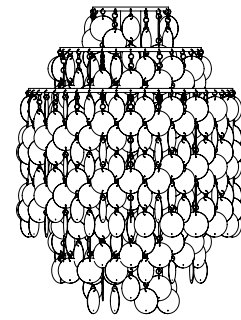
W: 40 cm (15.7")

## Box dimensions

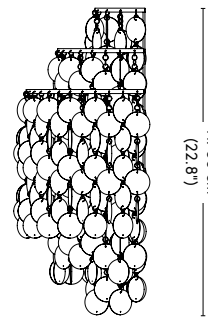
37 × 37 × 31 cm (14.6 × 14.6 × 12.2")

## Weight

3,5 kg / 4 kg incl. packaging



W: 40 cm  
(15.7")



D: 22 cm  
(8.7")

H: 58 cm  
(22.8")

# SPIEGEL WALL/CEILING LAMP 1969

LIGHTING

## Description

Decorative wall lamp that can be mounted individually  
or as part of larger installation.

## Material

Brushed aluminum

## Light source

E14 EU (220) max. 25W / E12 US (120V) max. 25W  
IP20. Bulb is not included

## Cord

Black fabric w. switch 250 cm (98")  
(Also possible to mount as hard wire)

## Certifications

CE / UKCE / UL

## Product dimensions

H: 62,5 cm (24.6")

W: 62,5 cm (24.6")

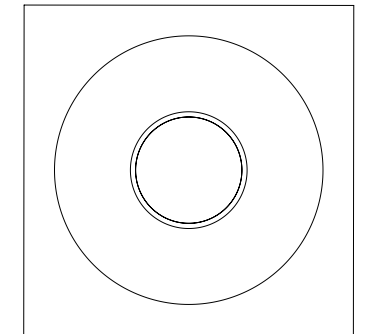
D: 20 cm (7.9")

## Box dimensions

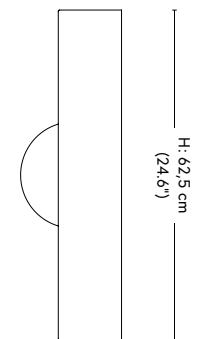
69 × 69 × 18 cm (26.9 × 26.9 × 20.9")

## Weight

4,6 kg / 6 kg incl. packaging



W: 62,5 cm  
(24.6")



D: 20 cm  
(7.9")

H: 62,5 cm  
(24.6")



# UPHOLSTERY PROGRAMME

The mentioned fabrics/leathers at each product are standard fabrics/leather selected by VERPAN.

Requests for other fabrics please contact your sales representative.

If fabric treatment is required an additional fee will be added. Price increase of 10% for Cigarette & Match, CRIB 5 or CAL117 treatment. For further treatments as Duraseal, Soil & Stain etc., please request this at your local sales representative.

For all COM/COL enquiries please contact your local sales representative or call us on +45 7658 1882.

In cases where VERPAN has a trade agreement with the fabric supplier, COM is not possible.

Price group	Manufacturer	Leather*	System 1-2-3 Standard	System 1-2-3 Deluxe	Cloverleaf	Welle	430	Flying Chair	Easy	VP168 Sofa	US Cal. Bull. 117-2013	BS 5852 PART 1	BS 5852 CRIB 5
1	Sørensen Leather	Ultra	●	●			●				Yes	Yes	
2	Sørensen Leather	Envy	○	○	○	○	○	○	○	○	-	-	-
		Duet	○	○	○	○	○	○	○	○	-	-	-
		Savanne	○	○	○	○	○	○	○	○	-	-	-

- Approved
- Not tested for the specific model – can be performed on request
- (Yes) Treatment is needed to fulfill fire requirement

\*To learn more about the fabrics or leathers of interest please visit the manufacturers website directly.

Price group	Manufacturer	Fabric*	System 1-2-3 Standard	System 1-2-3 Deluxe	Cloverleaf	Welle	430	Flying Chair	Easy	VP168 Sofa	US Cal. Bull. 117-2013	BS 5852 PART 1	BS 5852 CRIB 5	
1	COM/COL													
	Kvadrat	Remix			●	●	●	●	●	●	Yes	Yes	(Yes)	
	Romo	Linara	●	●	●	●	●	●	●	●	Yes		(Yes)	
2	Kvadrat	Canvas	○	○	○	○	○	○	○	○	-	-	-	
		Re-wool	●	●	●	●	●	●	●	●	●	Yes	Yes	(Yes)
	SKAI	Parotega		●	●	●	●	●				Yes	Yes	
3	Kvadrat	Divina	●	●	●	●	●	●	●	●	Yes	Yes	(Yes)	
		Divina MD	●	●	●	●	●	●	●	●	Yes	Yes	(Yes)	
		Divina Melange	●	●	●	●	●	●	●	●	●	Yes	Yes	
		Hallingdal	●	●	●	●	●	●	●	●	●	Yes	Yes	Yes
		Steelcut Trio	●	●	●	●	●	●	●	●	●	Yes	Yes	(Yes)
		Steelcut Quartet	○	○	○	○	○	○	○	○	○	-	-	-
		Tonus	●	●	●	●	●	●	●	●	●	Yes	Yes	(Yes)
4	Dedar	Sunday	○	○	○	○	○	○	○	○	-	-	-	
	Kvadrat	Vidar	●	●	●	●	●	●	●	●	Yes	Yes	(Yes)	
		Harald		●	●			●			●			
5	Dedar	Karakorum	●	●	●	●	●	●	●	●	Yes	Yes	Yes	
	Nevotex	Regent	○	○	○	○	○	○	○	○	-	-	-	
6	Dedar	Alpaca Alto		○	○	○	●	○	●	○	-	-	-	
		A Soft Place	○	○	○	○	○	○	●	○	-	-	-	
	Kvadrat	Argo	○	○	○	●	○	○	●	○	-	-	-	
		Gentle			●	●			●	●	Yes	Yes		

# SHOWROOMS

Experience VERPAN's universe and immersive environment by visiting our showrooms. Find inspiration and discover the rich collection of furniture, lighting and objects designed by Verner Panton. Visit us in cities like Copenhagen, London, Shanghai – or simply find your nearest showroom.

## AMSTERDAM

Aalsmeerderdijk 640, 1435 BW Rijsenhout  
+31 29 73 74 747

## ANTWERP

Hofstraat 24, 2000 Antwerp  
+32 38 46 02 37

## BERLIN

Auguststrasse 19, 10117 Berlin  
+49 30 27 59 35 74

## COPENHAGEN

Møntergade 19, 1116 Copenhagen  
+45 76 58 18 82

## DÜSSELDORF

Fürstenwall 65, 40219 Düsseldorf  
+49 21 13 11 27 800

## LONDON

34 Queen Anne's Gate, London SW1H 9AB  
+44 (0) 7718 405204

## PARIS

3 Avenue du Président Wilson, 75016 Paris  
+33 1 45 63 04 29

## ZÜRICH

Feldeggstrasse 2, 8152 Glattbrugg  
+41 76 380 21 36

## SHANGHAI

No. 55 Yuyao Road, Jing'an, Shanghai  
+86 21 52 35 10 81

## BEIJING

1F/2F North Area, RF Plaza  
East 3rd Ring Middle Road, Chaoyang  
+86 10 59 03 76 89

The logo for VERPAN, featuring a stylized 'V' symbol followed by the letters 'ER' in a bold, sans-serif font.

**PAD**