

tratten wall lamp

hans-agne jakobsson

örsjö, sweden



raw brass
M864R



raw copper
M862R



polished copper
M862



polished brass
M864



black painted
M3005



white painted
M3004



silver painted
M5552



brown painted
M5551



bronze painted
M5550



steel painted
M5553



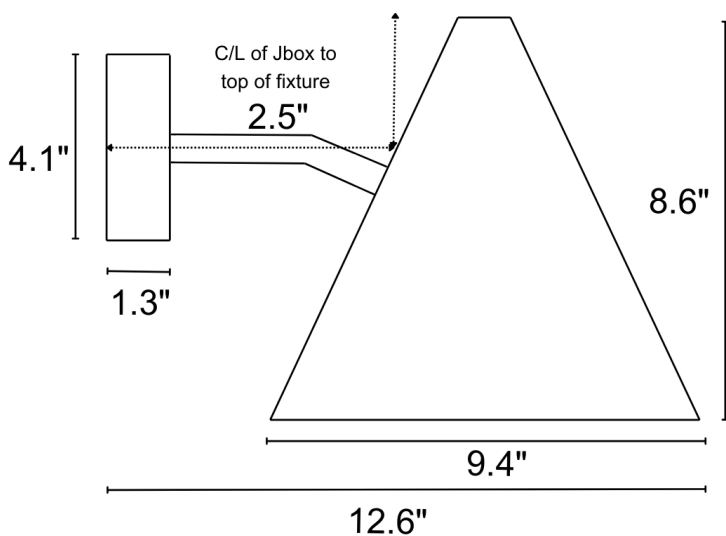
brown patina
M861



verdigris patina
M863



darkly patinated
M728



weight
4 lbs

voltage
120V

materials
copper or brass

lamping
accommodates 1x 100W equivalent LED e26 bulb (60W incandescent), not included.

technical & mounting information

fixed mounting to 4S J-box with 3-0 plaster ring (universal mounting ring included) for U.S. electrical. recommended installation by a licensed electrician. UL listed for wet location.

QUICK
SHIP

* the chemical patination process can result in unique variation from lamp to lamp including streaking, flaking, spotting, discoloration, patchiness and other irregularities, including inside the shade. finish may vary from lamp to lamp and can also change, fade over time and even rub off due to handling, storage, and exposure to the elements.



OUTDOOR
INDOOR
WET LOCATION

